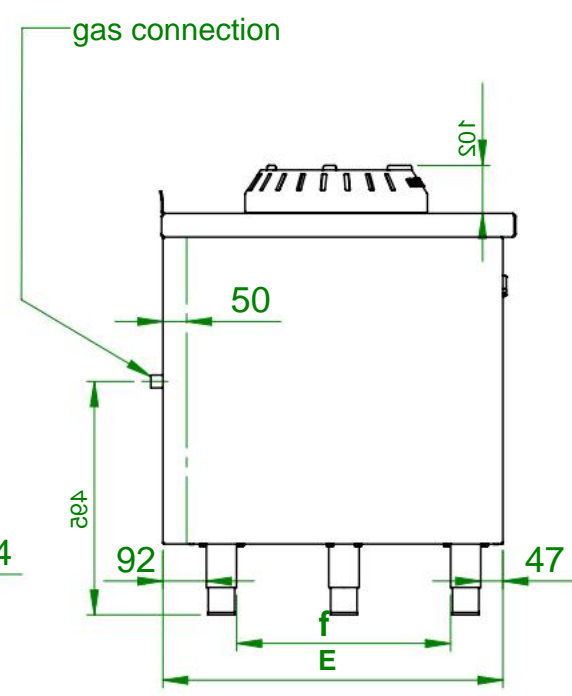
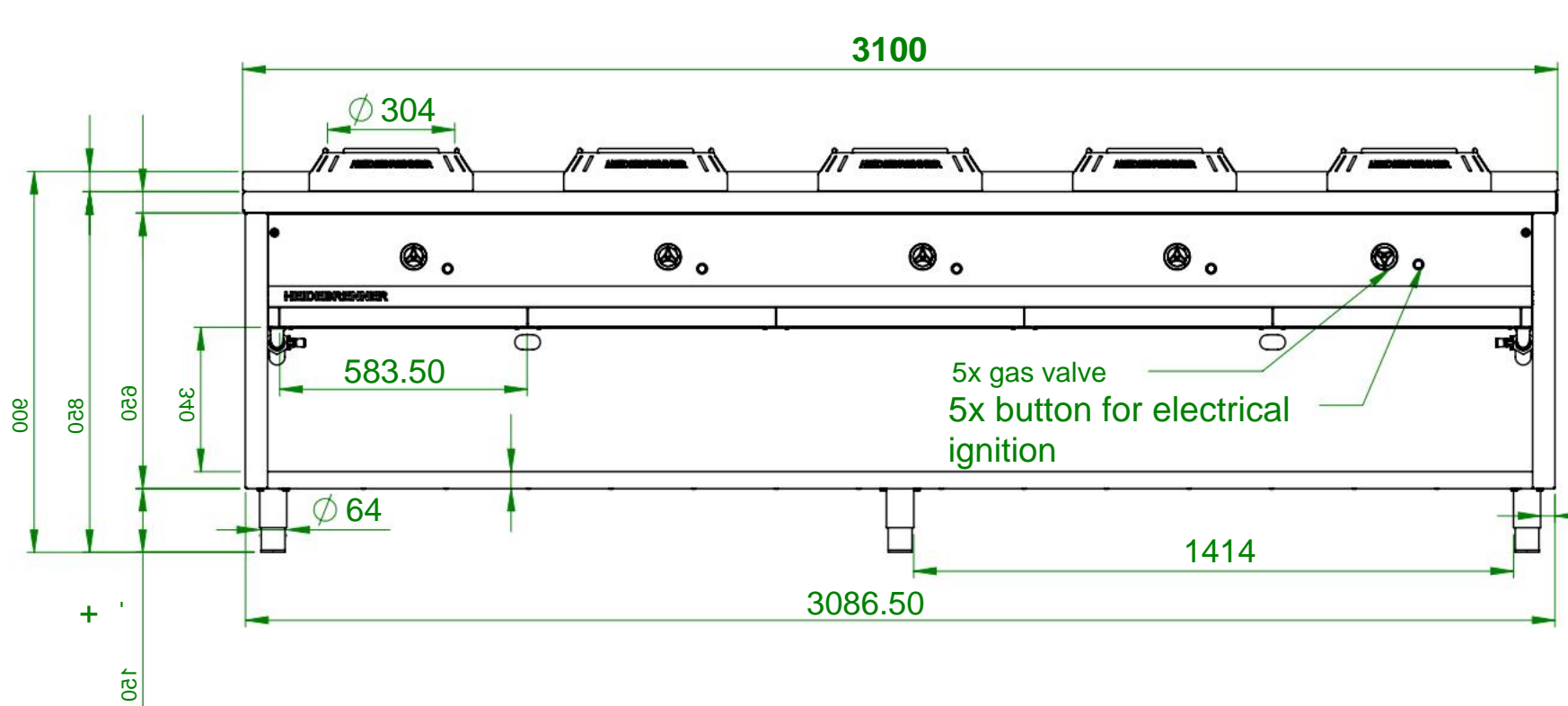
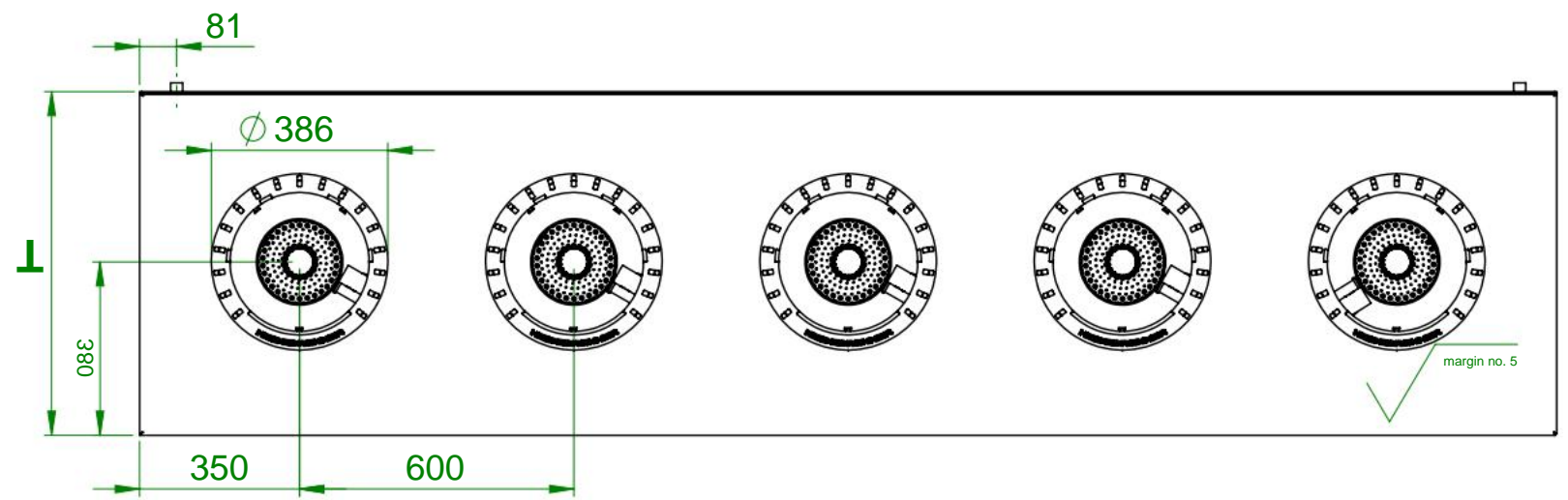


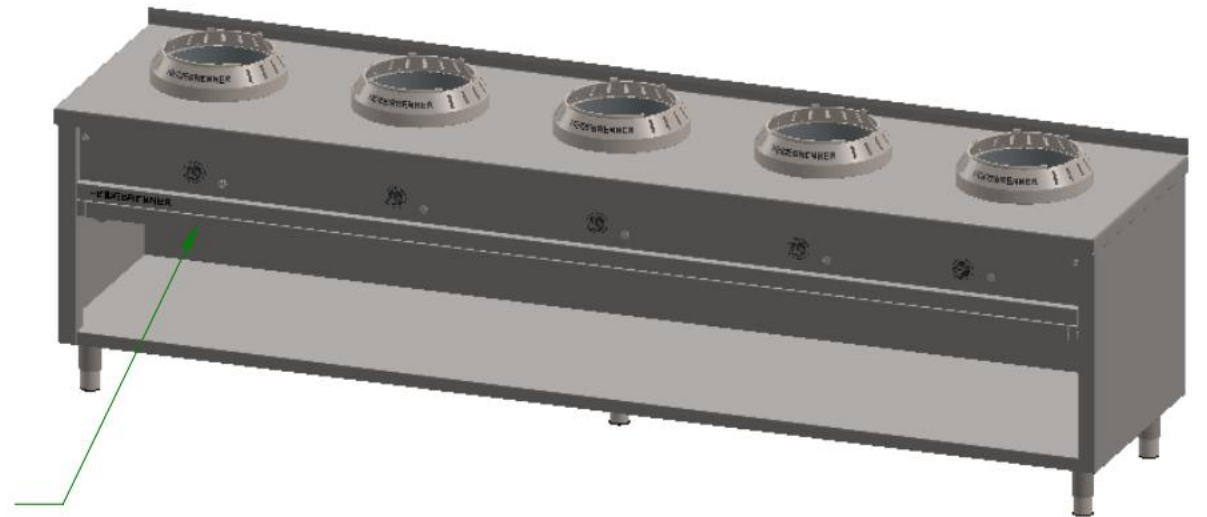
A
B
C
D
E
f



	GGxBE GGxCE	
Ptotal [kW]	40 60	
Gas wok range Heat output [W]		
Sensible Heat 7000		10500
Latent Heat 4200		6300
Steam Levy 7420		11130

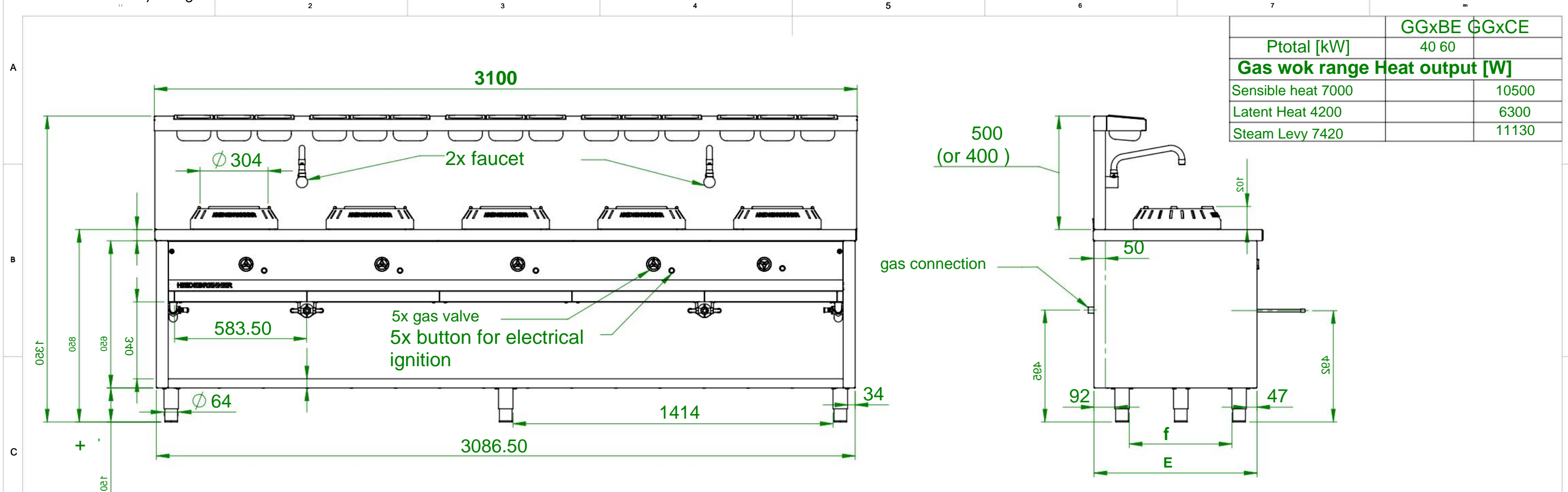


5x dirt drawer

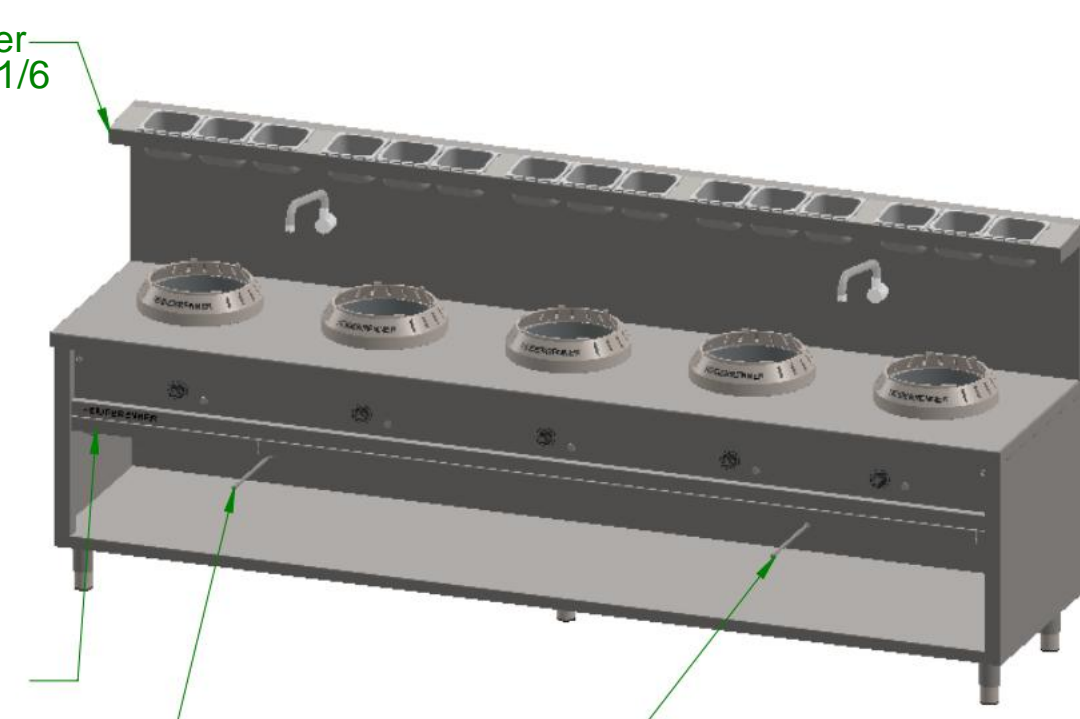
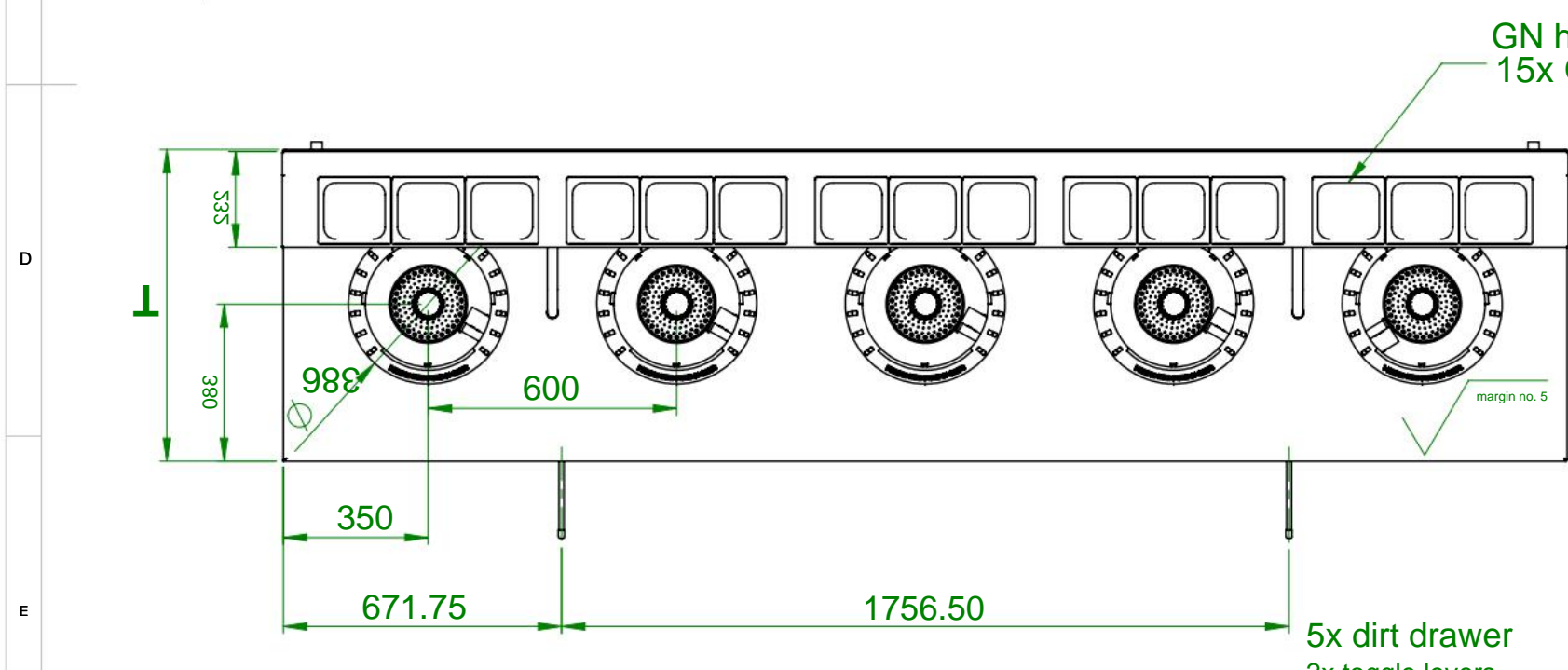


Item No	T E	F HZ P[kW] Pges [kW]	Volume flow gas connection V[m3/h]	Length of consumption line [m] delta p=0.6mBar	gas type		
GGHBE	750 720 453	5	8	40	4.23	3/4	12H
GGHCE			12	60	6.35	8th	
GGKBE	900 870 603	5	8	40	4.23	1	
GGKCE			12	60	6.35	3/4 1	

area of use	tolerance after	surfaces	Scale: 1:16	Weight: 331kg
3100x750x850	DIN ISO 2768-mK	ISO 1302	material 1.4301 AISI 304	
	Surname	Date	Gas wok range "SICHUAN"	
edit	MG	08/12/2020		
HEIDEBRENNER			GG(HK)xE	A3

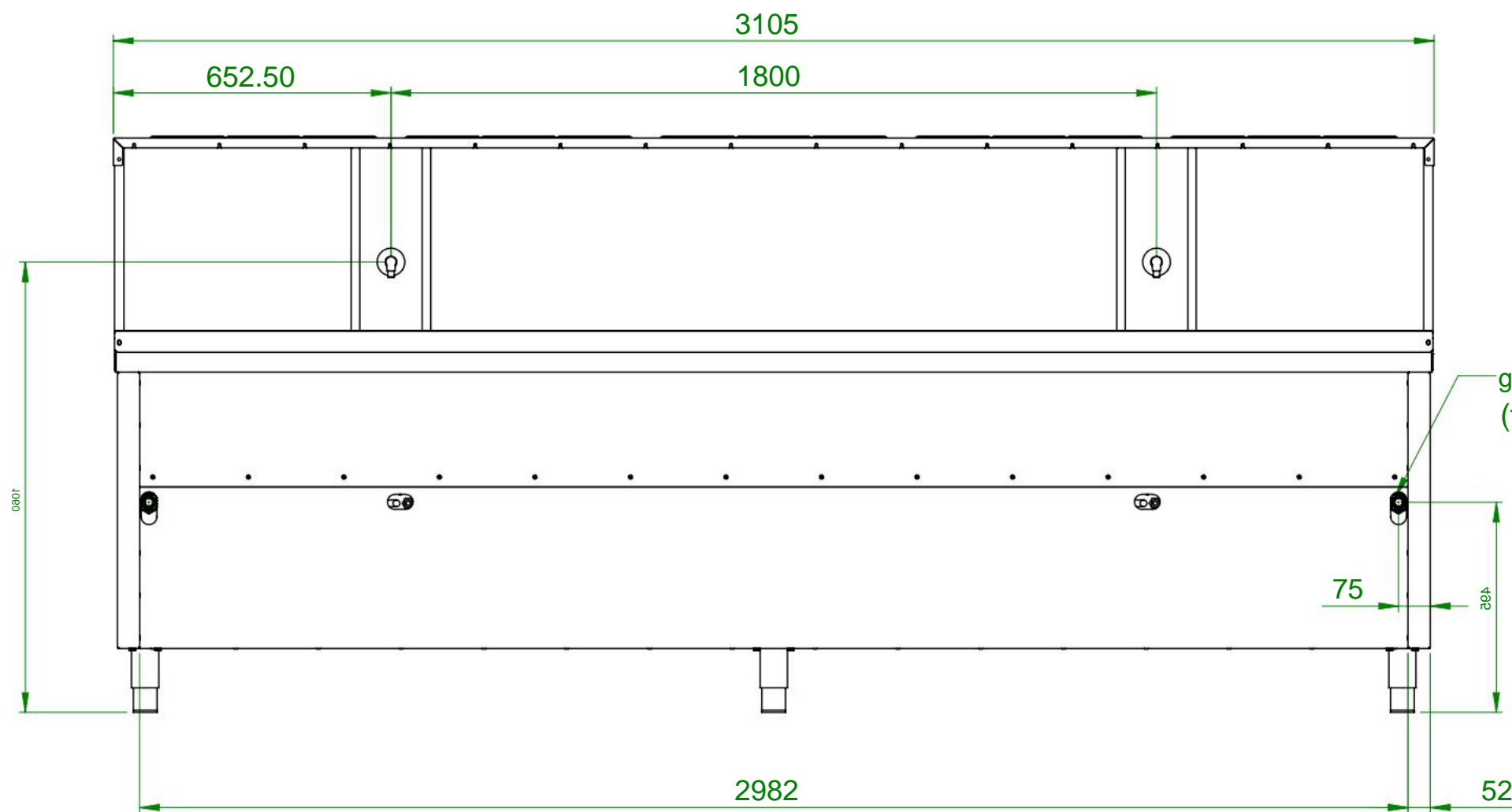


	GGxBE	GGxCE
Ptotal [kW]	40	60
Gas wok range Heat output [W]		
Sensible heat	7000	10500
Latent Heat	4200	6300
Steam Levy	7420	11130

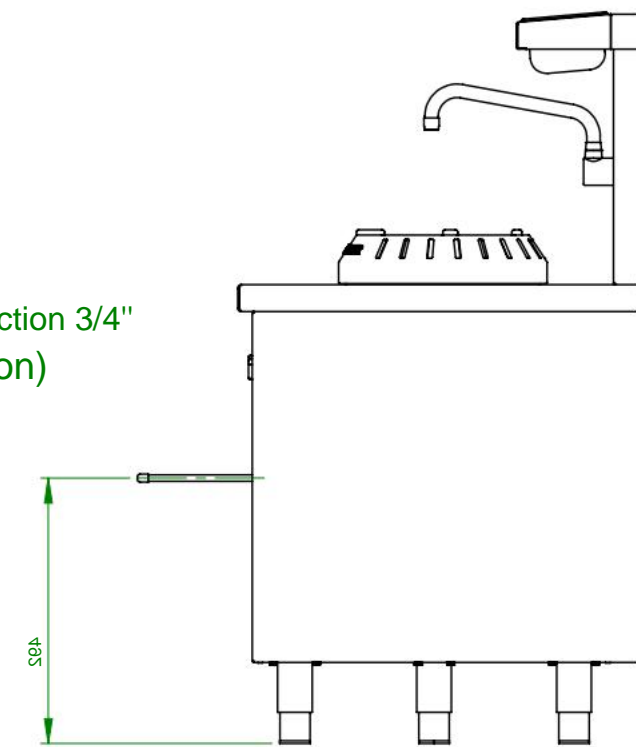


Item No	T	E	F	HZ	P[kW]	Ptotal [kW]	volume storm V[m3/h]	gas connection <small>(Customs service)</small>	Length of consumption line [m] delta p=0.6mBar	gas type
GGHBE	750	720	453	5	8	40	4.23	3/4	5	I2H
GGHCE					12	60	6.35		8th	
GGKBE	900	870	603		8	40	4.23	1	5	
GGKCE					12	60	6.35	3/4 1	8th	

area of use 3100x750x1350	tolerance after DIN ISO 2768-mK	surfaces ISO 1302	Scale: 1:17 weight 383kg 1.4301
edit MG	Date 08/12/2020	Gas wok range "SICHUAN"	
HEIDEBRENNER		GG(HK)xE	A3



gas connection 3/4"
(two option)



area of use 3100x750x1350	tolerance after DIN ISO 2768-mK	surfaces ISO 1302	Scale: 1:14	Weight: 383kg
			material 1.4301 AISI 304	
edit	Surname MG	Date 08/12/2020	Gas wok range "SICHUAN"	
HEIDEBRENNER			GG(HK)xE	A3