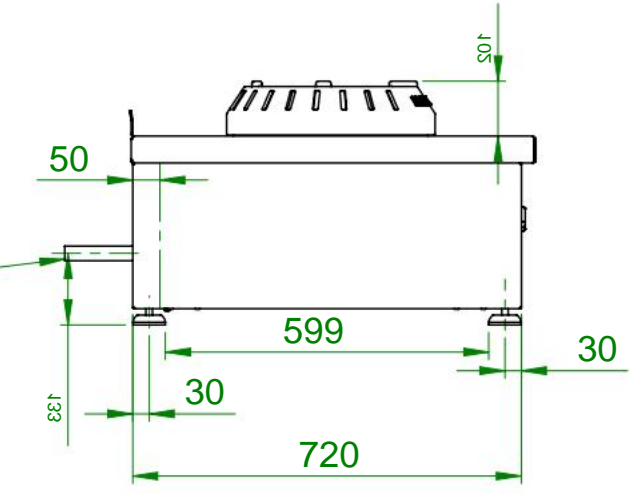
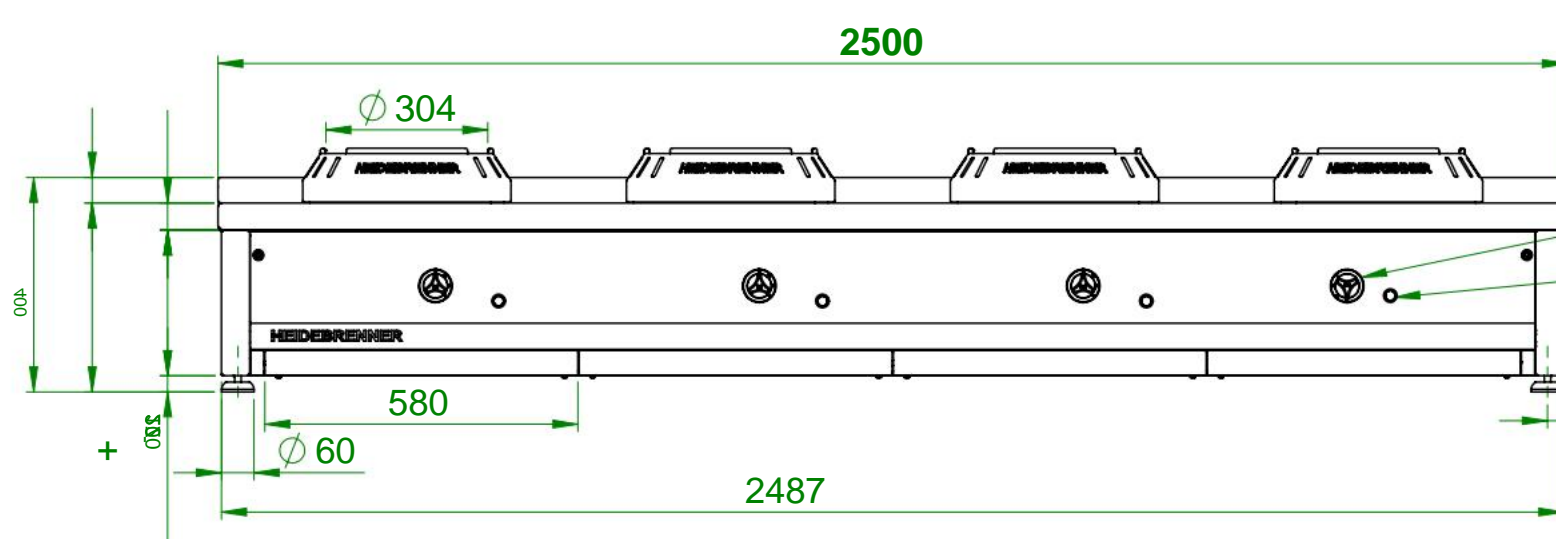
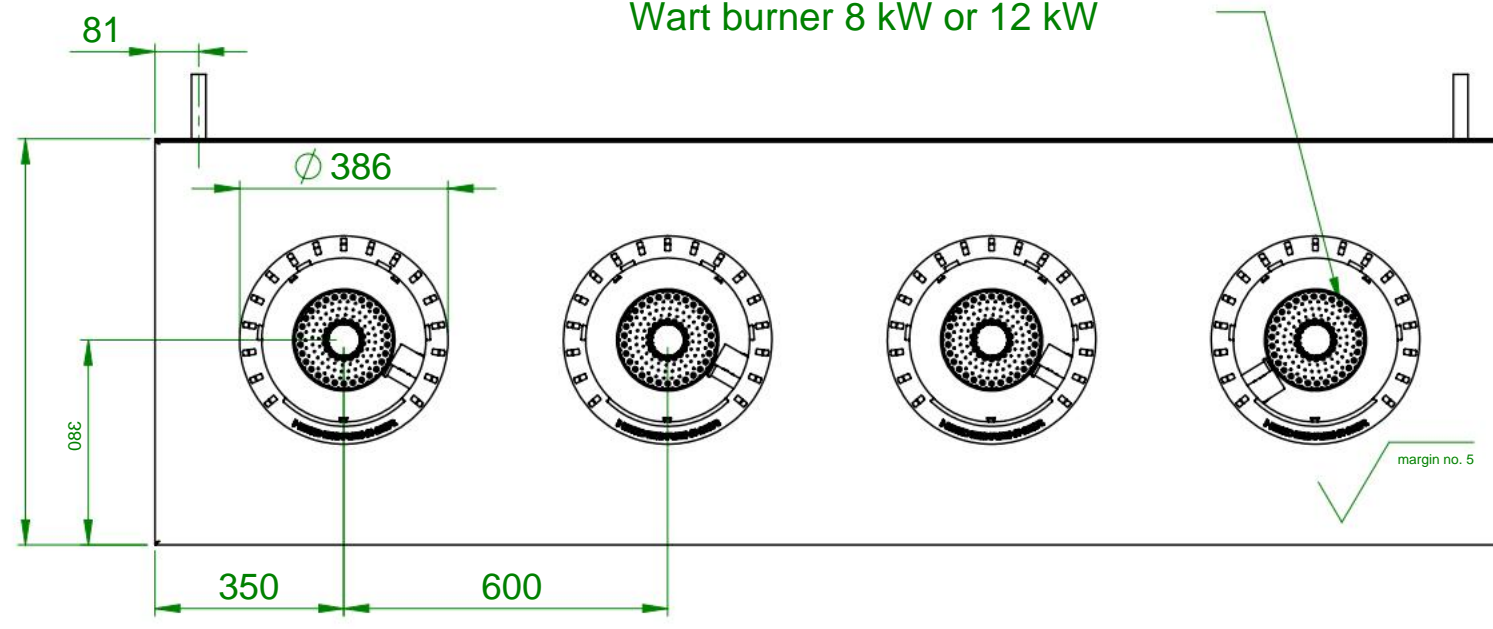


	GGOBD	GGOCD
Ptotal [kW]	32	48
Gas wok range	heat dissipation [W]	
Sensible heat	5600	8400
Latent Heat	3360	5040
Steam Tolls	5936	8904



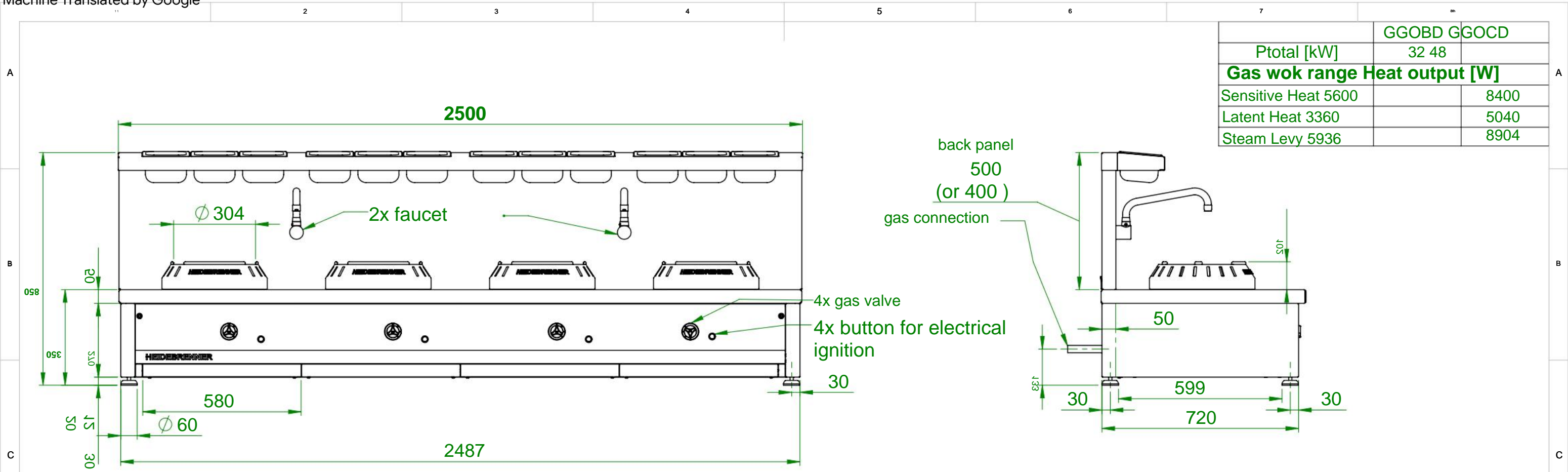
Wart burner 8 kW or 12 kW



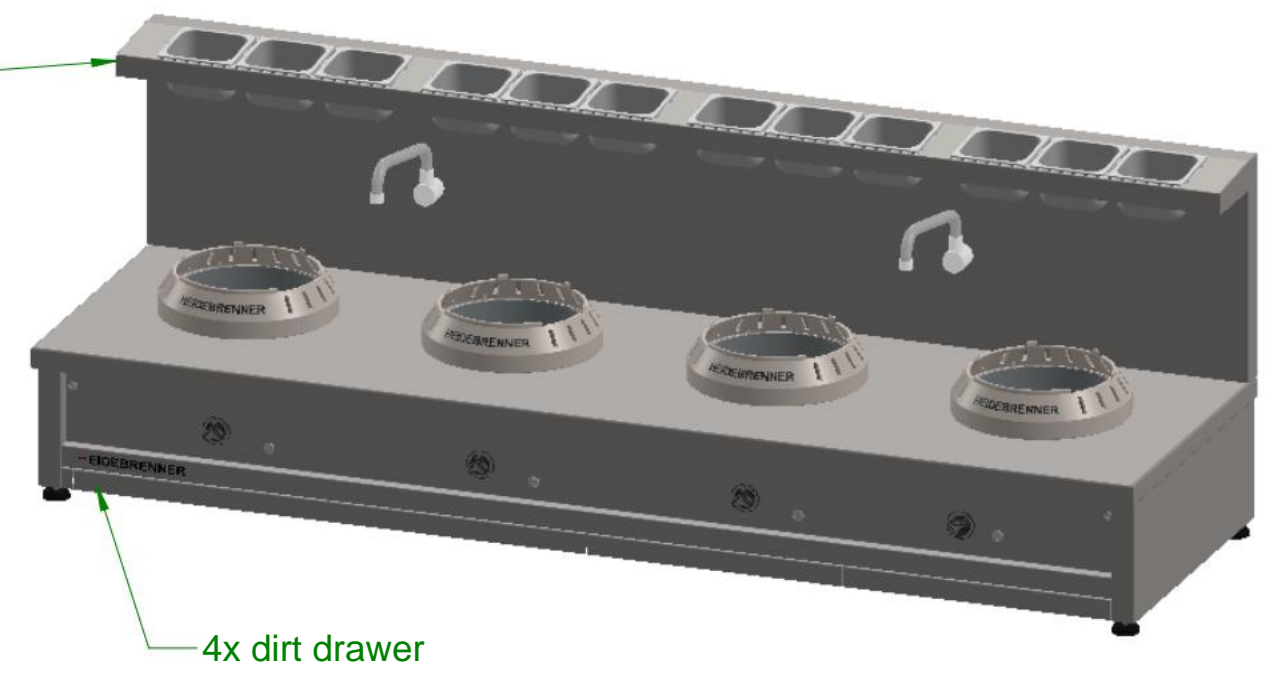
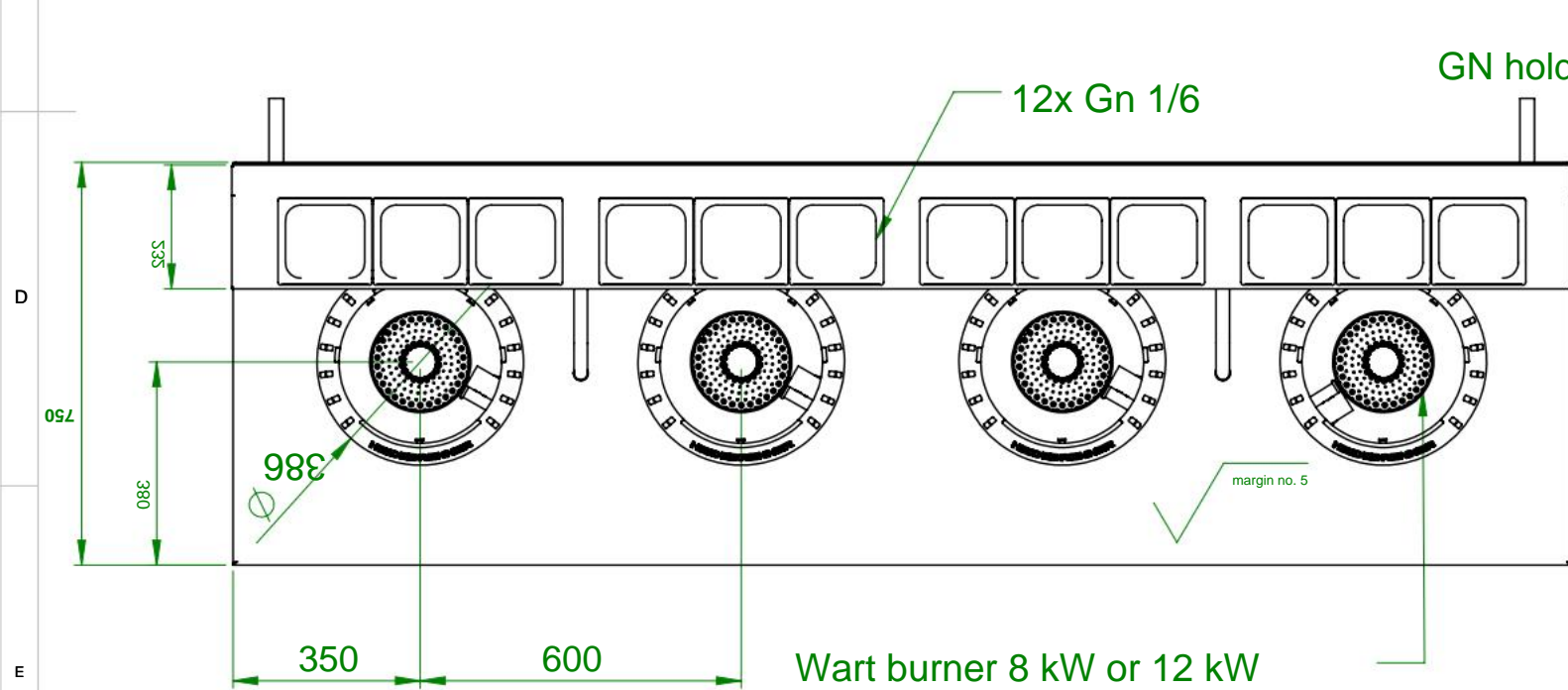
area of use	tolerance after	surfaces	Scale: 1:14	Weight: 209kg
2500x750x350	DIN ISO 2768-mK	ISO 1302	material	1.4301 AISI 304

Art.Nr	HZ	P[kW]	Pges [kW]	Volume flow gas connection V[m3/h]	Length of consumption line [m] delta p=0.6mBar	gas type
GGOBD	4	8	32	3.384	8	I2H
GGOCD		12	48	5.08	13	

edit	Surname	Date	Gas wok range "JIANGSU"
MG		02/25/2021	
HEIDEBRENNER		GGO_D	A3

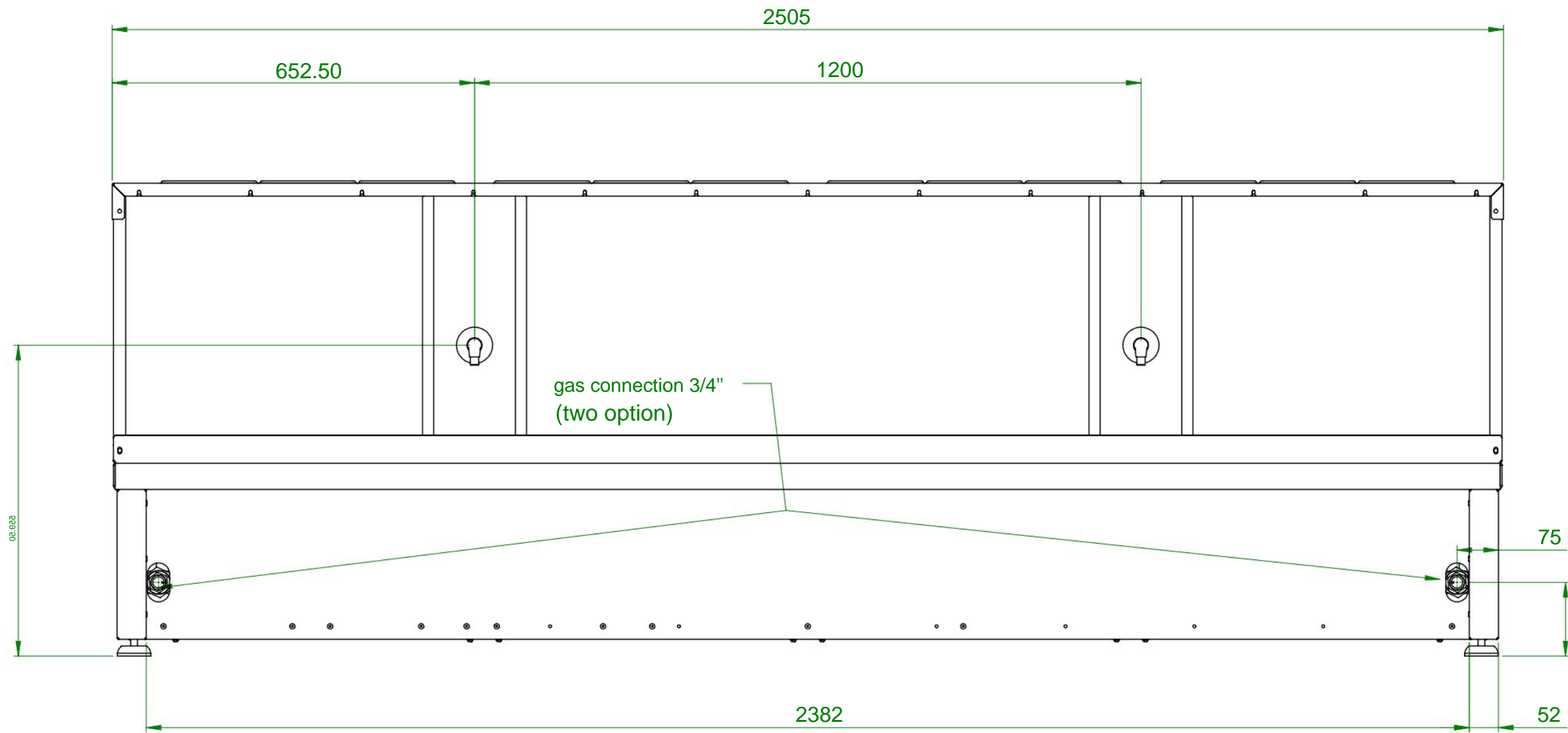


	GGOBD	GGOCD
Ptotal [kW]	32	48
Gas wok range Heat output [W]		
Sensitive Heat	5600	8400
Latent Heat	3360	5040
Steam Levy	5936	8904



Art.Nr	HZ	P[kW]	Ptotal [kW]	volume storm V[m3/h]	gas connection <small>(Customs service)</small>	Length of consumption line [m] delta p=0.6mBar	gas type
GGOBD	8	4	32	3.384	3/4	8	I2H
GGOCD	12		48	5.08	1	13	

area of use 2500x750x850	tolerance after DIN ISO 2768-mK	surfaces ISO 1302	Scale: 1:14 250kg 1.4301
Surname	Date	material AISI 304	
edit MG	02/25/2021	Gas wok range "JIANGSU"	
HEIDEBRENNER		GGO_D + back panel	A3



area of use 2500x750x850	tolerance after DIN ISO 2768-mK	surfaces ISO 1302	Scale: 1:8	Weight: 250kg
			material 1.4301 AISI 304	
edit MG	Surname	Date	Gas wok range "JIANGSU"	
		02/25/2021		
HEIDEBRENNER			GGO_D + back panel	
			A3	