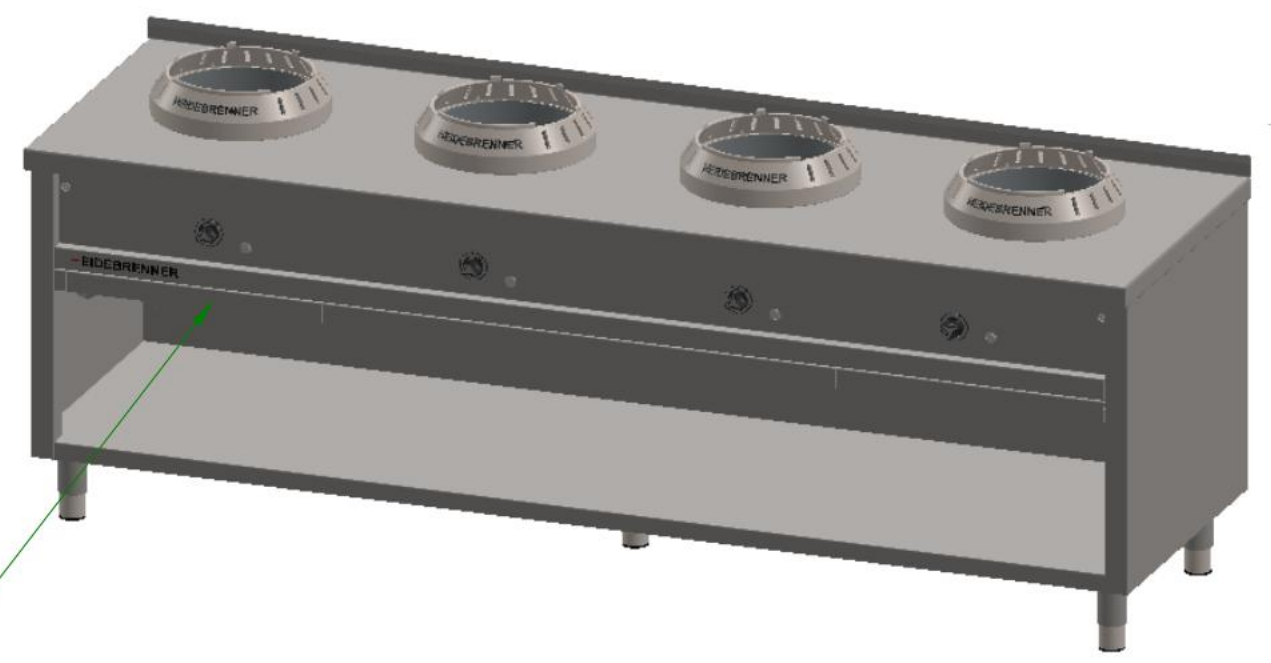
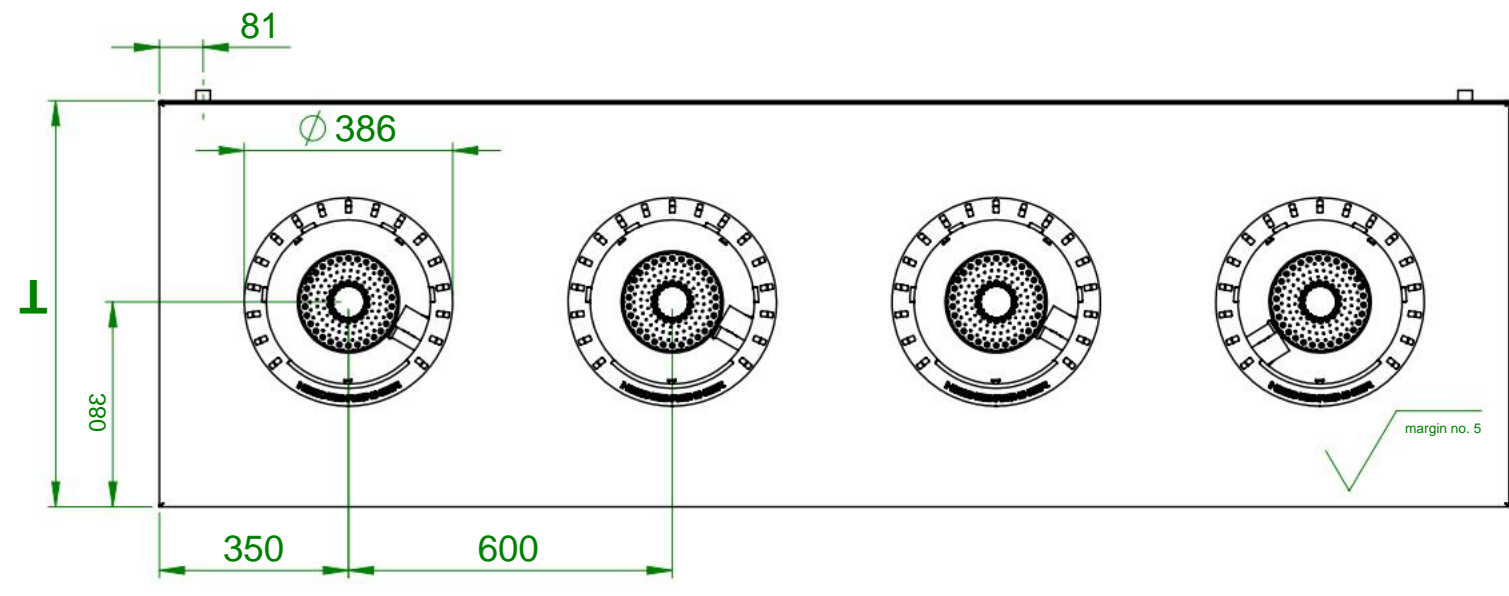


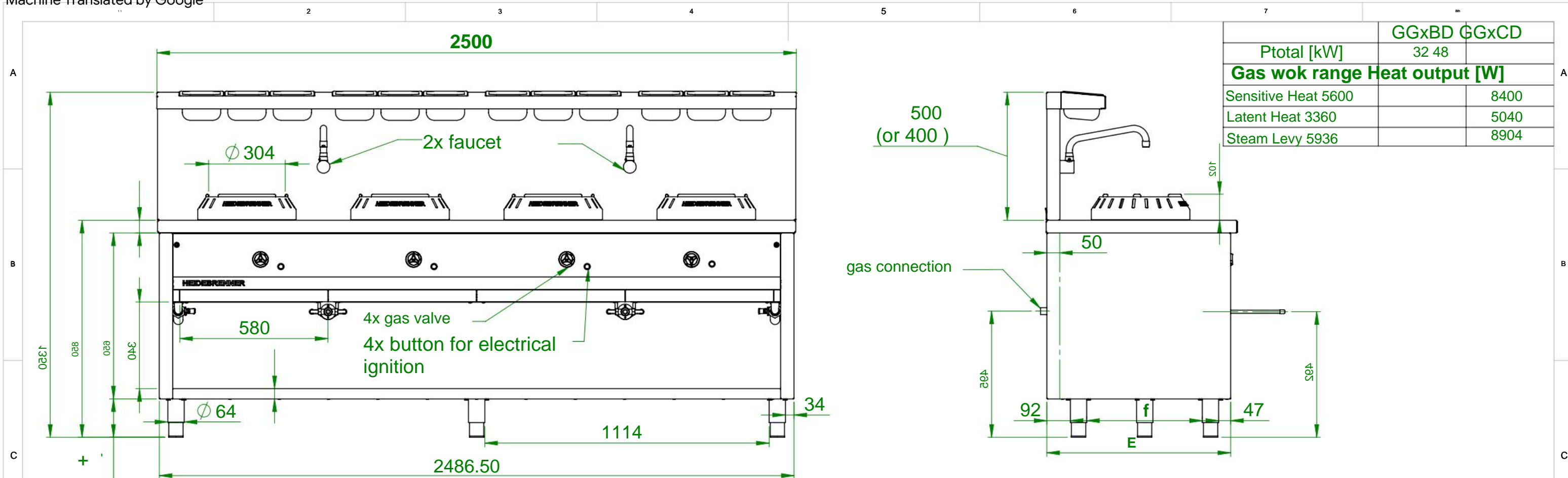
	GGxBD	GGxCD
Ptotal [kW]	32	48
<b>Gas wok range Heat output [W]</b>		
Sensitive Heat	5600	8400
Latent Heat	3360	5040
Steam Levy	5936	8904



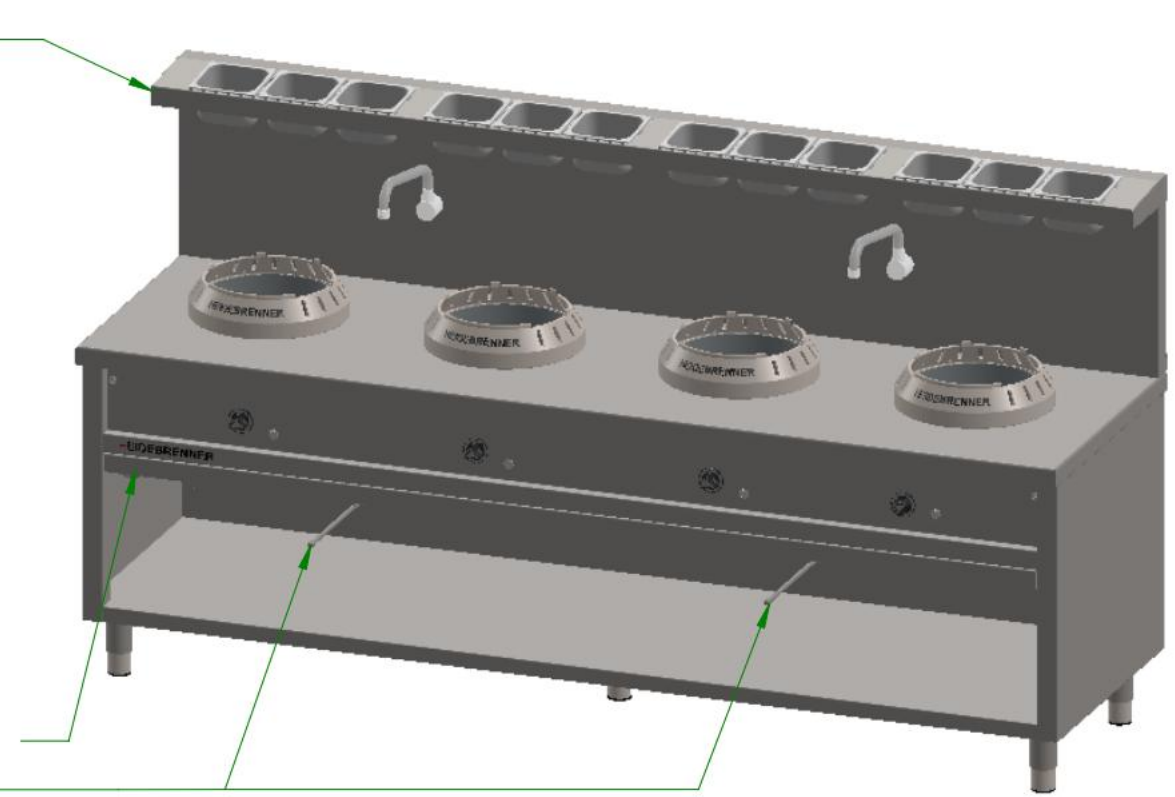
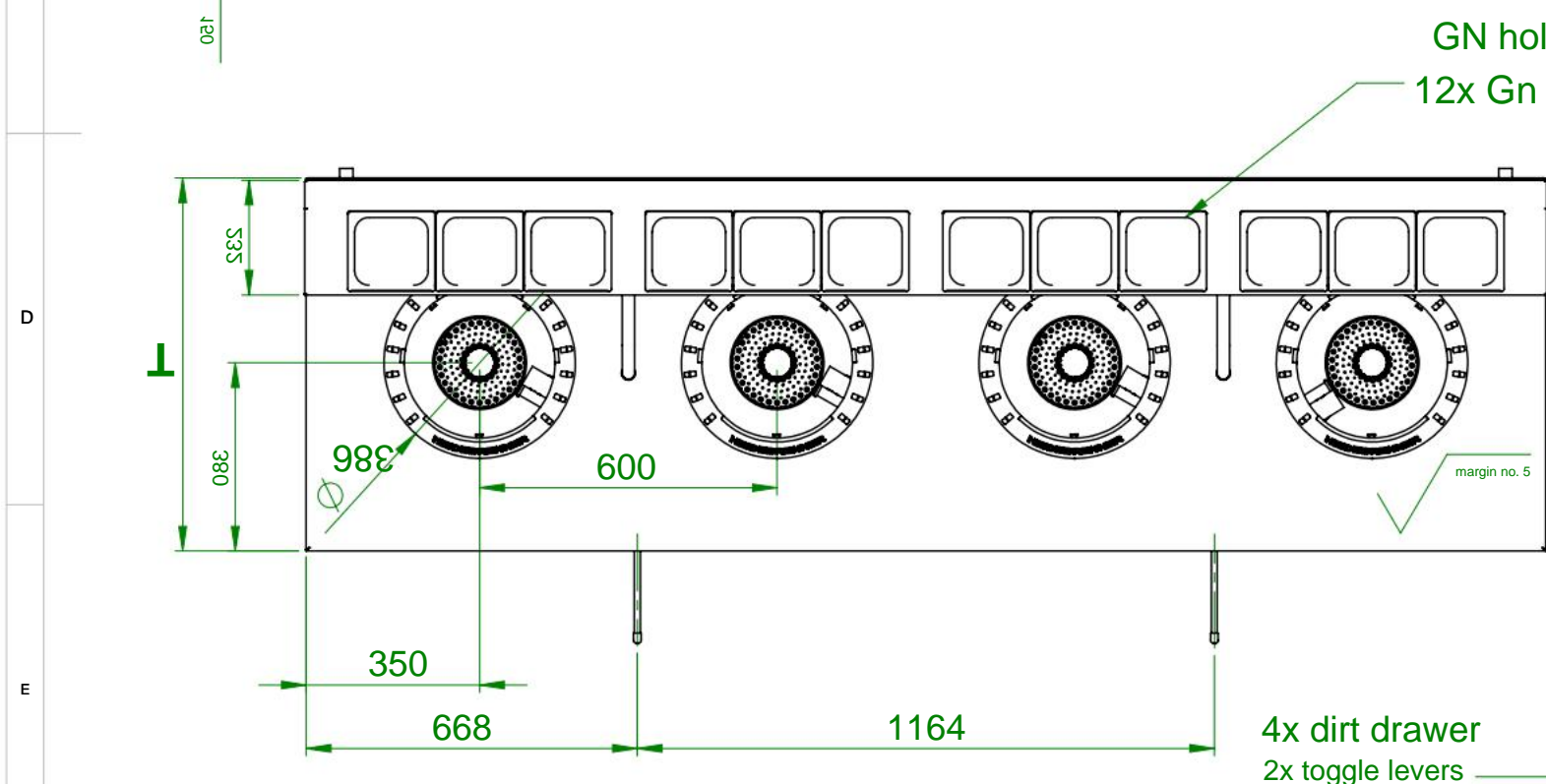
4x dirt drawer

Item No	T	E	F	HZ	P[kW]	Pges [kW]	Volume flow gas connection V[m <sup>3</sup> /h]	Length of consumption line [m] delta p=0.6mBar	gas type
GGHBD	750	720	453	4	8	32	3.384	3/4	I2H
GGHCD					12	48	5.08		
GGKBD	900	870	603		8	32	3.384	1	
GGKCD					12	48	5.08	3/4 1	

area of use	2500x750x850	tolerance after	DIN ISO 2768-mK	surfaces	ISO 1302	Scale:	1:14	Weight:	271kg
						material	1.4301	AISI 304	
Surname		Date		<b>Gas wok range "JIANGSU"</b>					
edit	MG	08/12/2020							
<b>HEIDEBRENNER</b>				GG(HK)xD				A3	

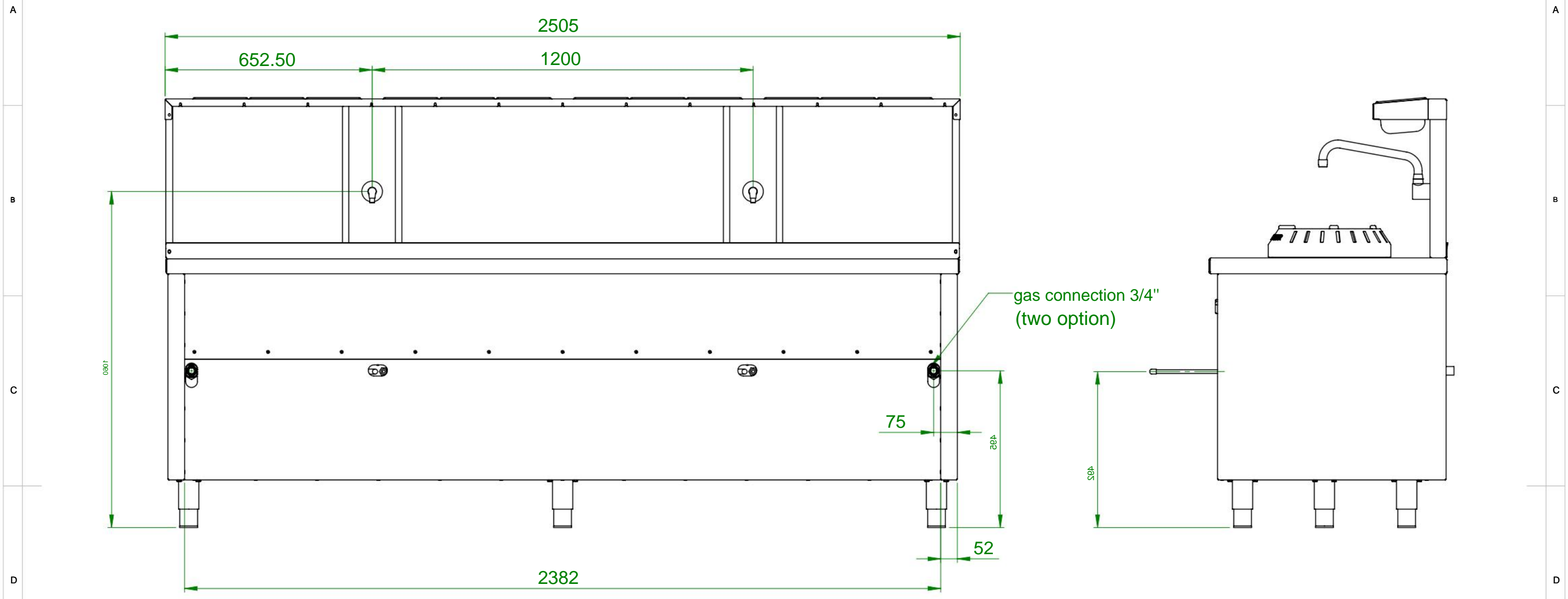


	GGxBD	GGxCD
Ptotal [kW]	32	48
<b>Gas wok range Heat output [W]</b>		
Sensitive Heat	5600	8400
Latent Heat	3360	5040
Steam Levy	5936	8904



Item No	T	E	F	HZ	P[kW]	Ptotal [kW]	volume storm V[m3/h]	gas connection <small>(Customs service)</small>	Length of consumption line [m] delta p=0.6mBar	gas type
GGHBD	750	720	453	4	8	32	3.384	3/4	8th	I2H
GGHCD					12	48	5.08		13	
GGKBD	900	870	603		8	32	3.384	1	8th	
GGKCD					12	48	5.08	3/4 1	13	

area of use 2500x750x1350	tolerance after DIN ISO 2768-mK	surfaces ISO 1302	Scale: 1:15 Weight: 314kg 1.4301
edit: MG	Date: 08/12/2020	Gas wok range "JIANGSU"	
HEIDEBRENNER		GG(HK)xD	A3



area of use 2500x750x1350	tolerance after DIN ISO 2768-mK	surfaces ISO 1302	Scale: 1:12	Weight: 314kg
			material 1.4301 AISI 304	
edit	Surname MG	Date 08/12/2020	Gas wok range "JIANGSU"	
HEIDEBRENNER			GG(HK)xD	A3