

A

B

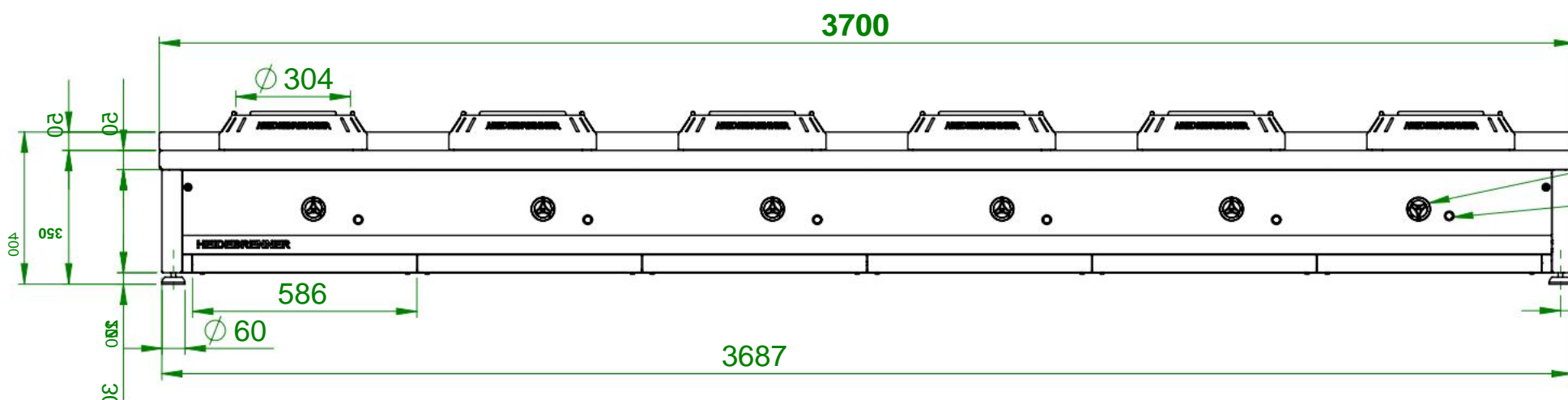
C

D

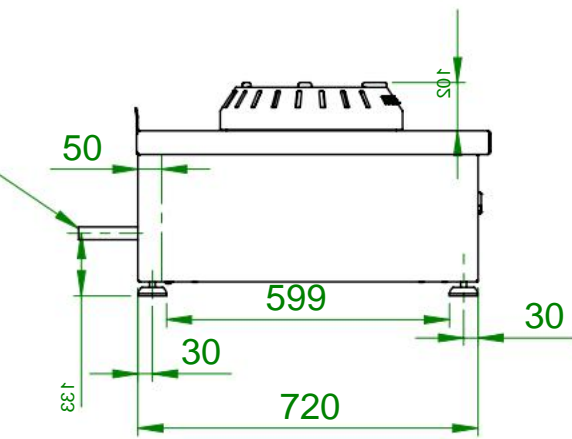
E

f

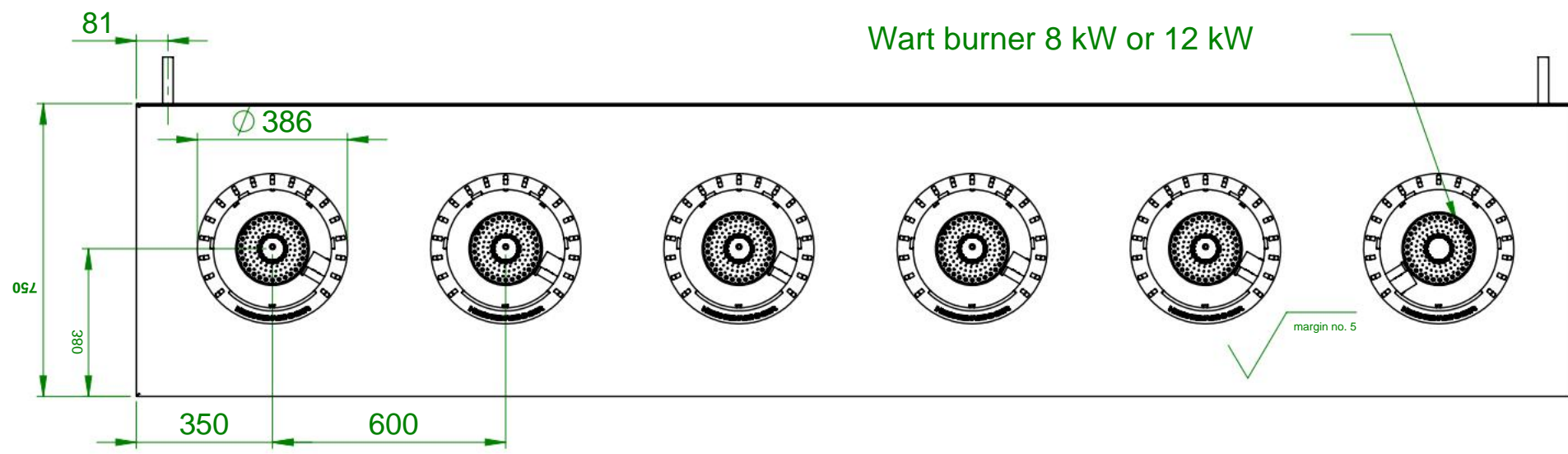
	GGOBF	GGOCF
Ptotal [kW]	48	72
<b>Gas wok range</b>	<b>heat dissipation [W]</b>	
Sensible heat	8400	12600
Latent Heat	5040	7560
Steam Tolls	8904	13356



gas connection  
6x gas valve  
6x button for electrical ignition



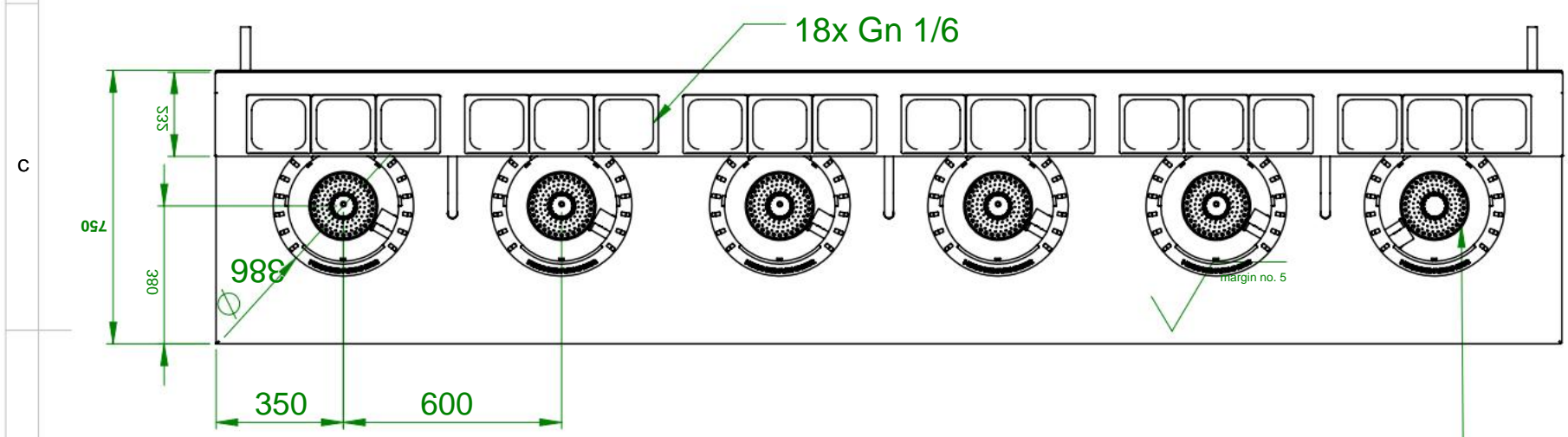
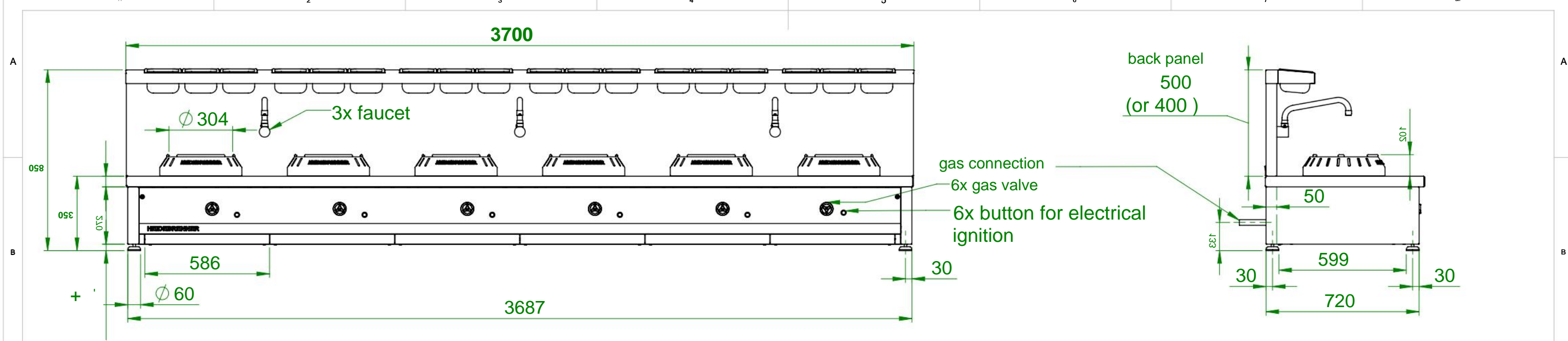
Wart burner 8 kW or 12 kW



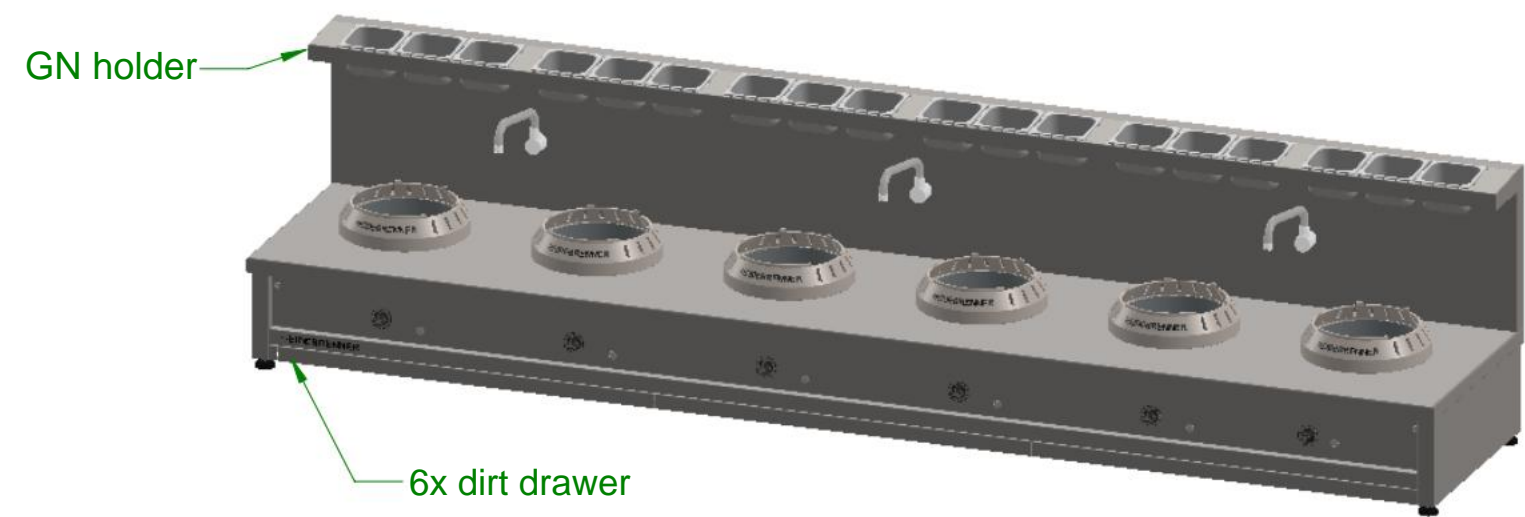
Art.Nr	HZ	P[kW]	Pges [kW]	Volume flow gas connection V[m3/h]	Length of consumption line [m] delta p=0.6mBar	gas type
GGOBF	6	8	48	5.07	13	I2H
GGOCF		12	72	7.62	>20	

area of use 3700x750x350	tolerance after DIN ISO 2768-mK	surfaces ISO 1302	Scale: 1:16	Weight: 305kg
			material: 1.4301 AISI 304	

edit	Surname MG	Date 02/25/2021	<b>Gas wok range "HENAN"</b>	
<b>HEIDEBRENNER</b>			<b>GGO_F</b>	A3

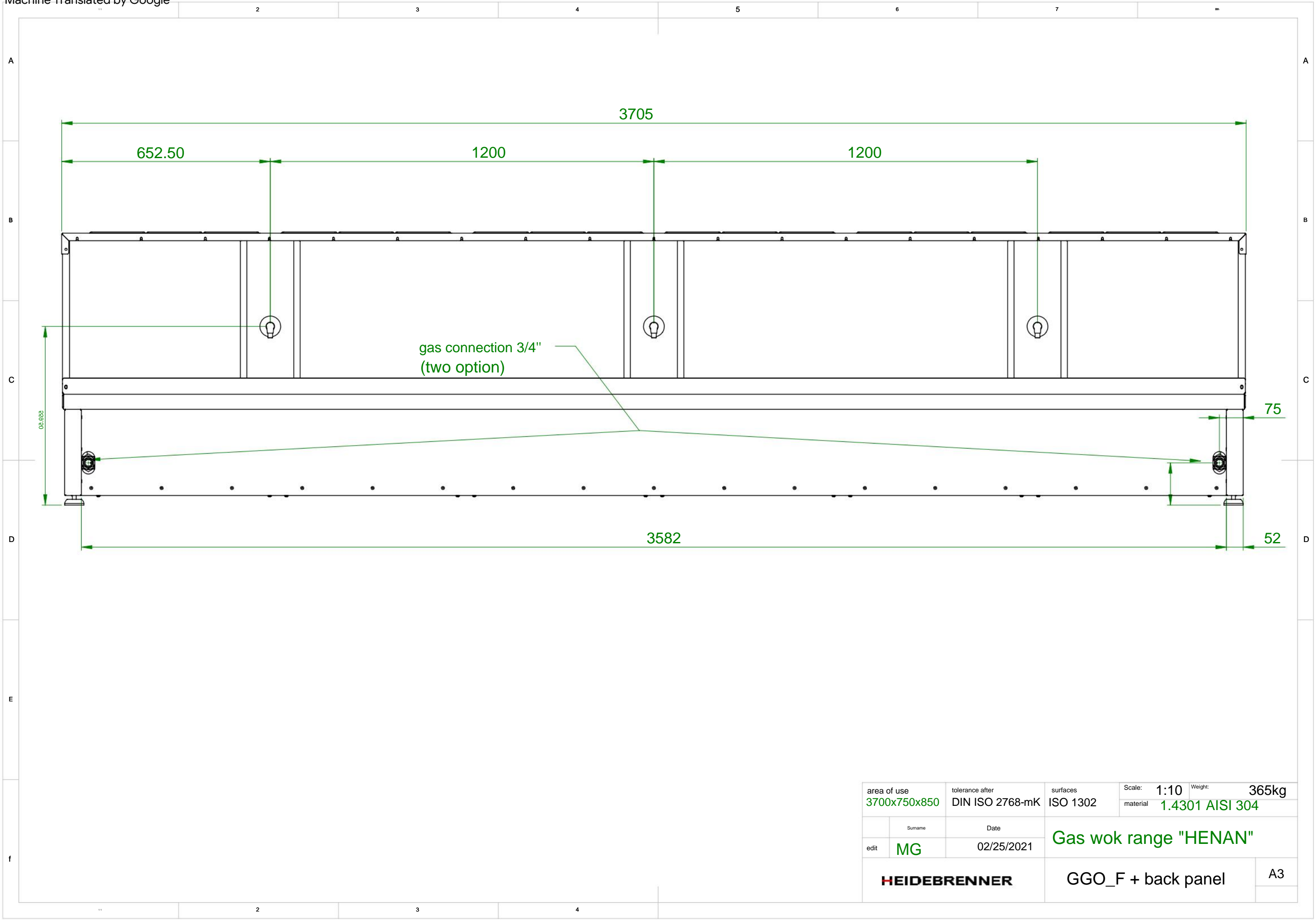


	GGOBF	GGOCF
Ptotal [kW]	48	72
<b>Gas wok range Heat output [W]</b>		
Sensitive heat 8400		12600
Latent Heat 5040		7560
Steam Levy 8904		13356



area of use 3700x750x850	tolerance after DIN ISO 2768-mK	surfaces ISO 1302	Scale: 1:18 weight 365kg 1.4301
edit MG		Date 02/25/2021	material AISI 304
<b>HEIDEBRENNER</b>		<b>Gas wok range "HENAN"</b>	
		GGO_F + back panel	A3

Art.Nr	HZ	P[kW]	Ptotal [kW]	volume storm V[m3/h]	gas connection <small>(Customs service)</small>	Length of consumption line [m] delta p=0.6mBar	gas type
GGOBF	8	6	48	5.076		13	I2H
GGOCF	12		72	7.62	1 1/4	>20	



gas connection 3/4"  
(two option)

area of use 3700x750x850	tolerance after DIN ISO 2768-mK	surfaces ISO 1302	Scale: 1:10	Weight: 365kg
			material: 1.4301 AISI 304	
edit: MG	Surname: MG	Date: 02/25/2021	Gas wok range "HENAN"	
HEIDEBRENNER		GGO_F + back panel		A3