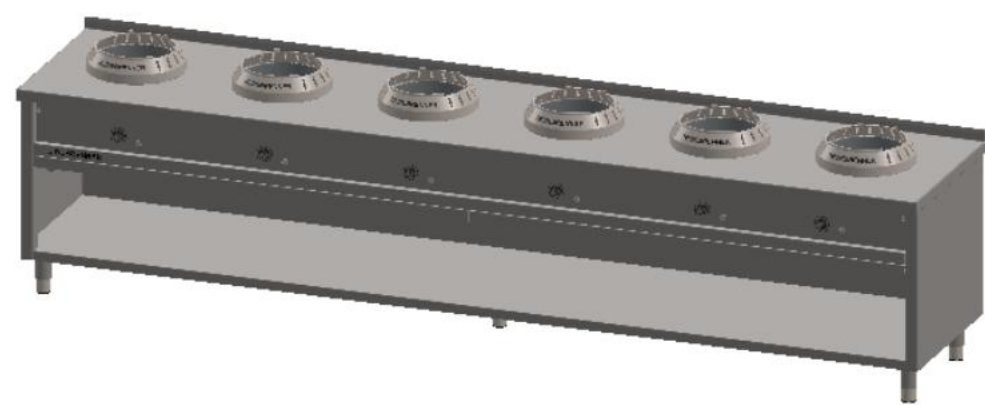
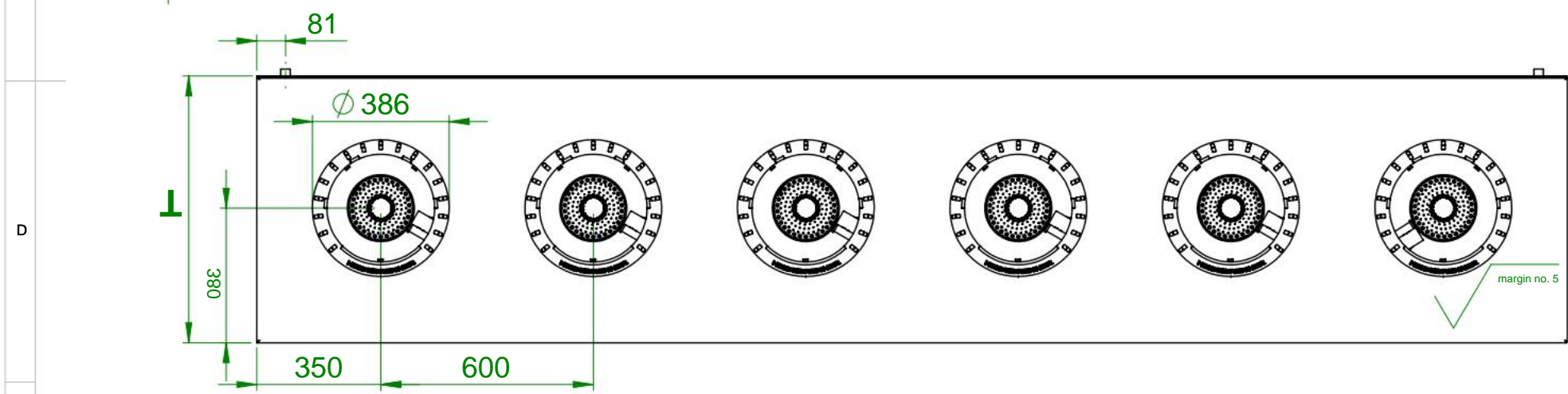
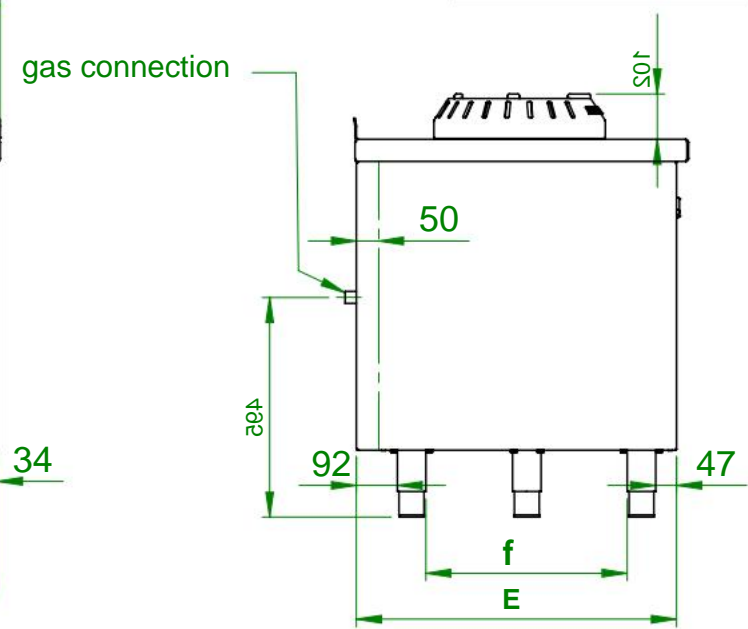
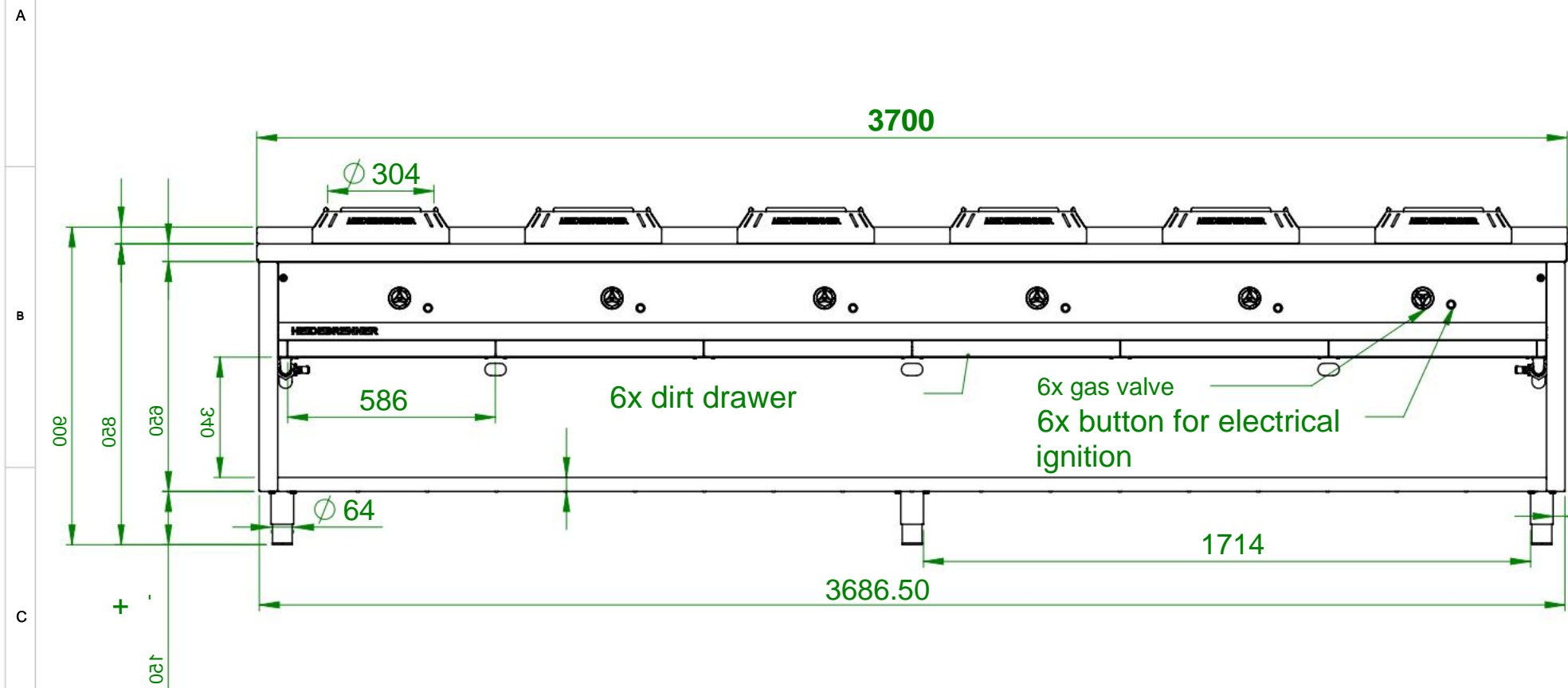


2 3 4 5 6 7

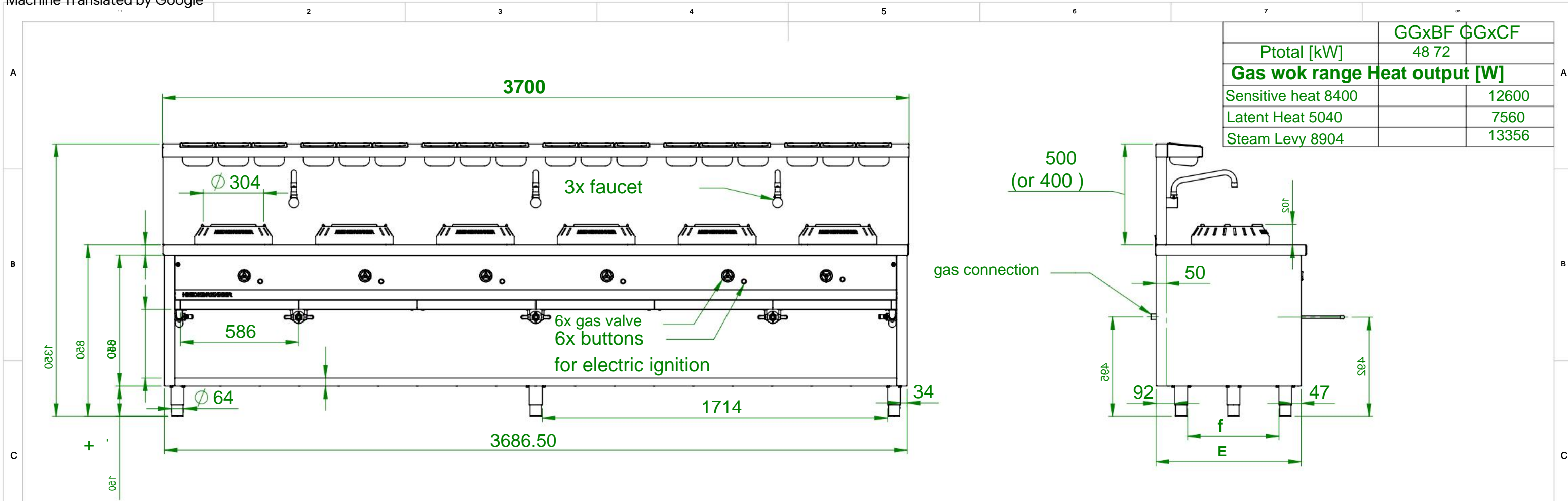
	GGxBF	GGxCF
Ptotal [kW]	48 72	
Gas wok range Heat output [W]		
Sensitive heat	8400	12600
Latent Heat	5040	7560
Steam Levy	8904	13356



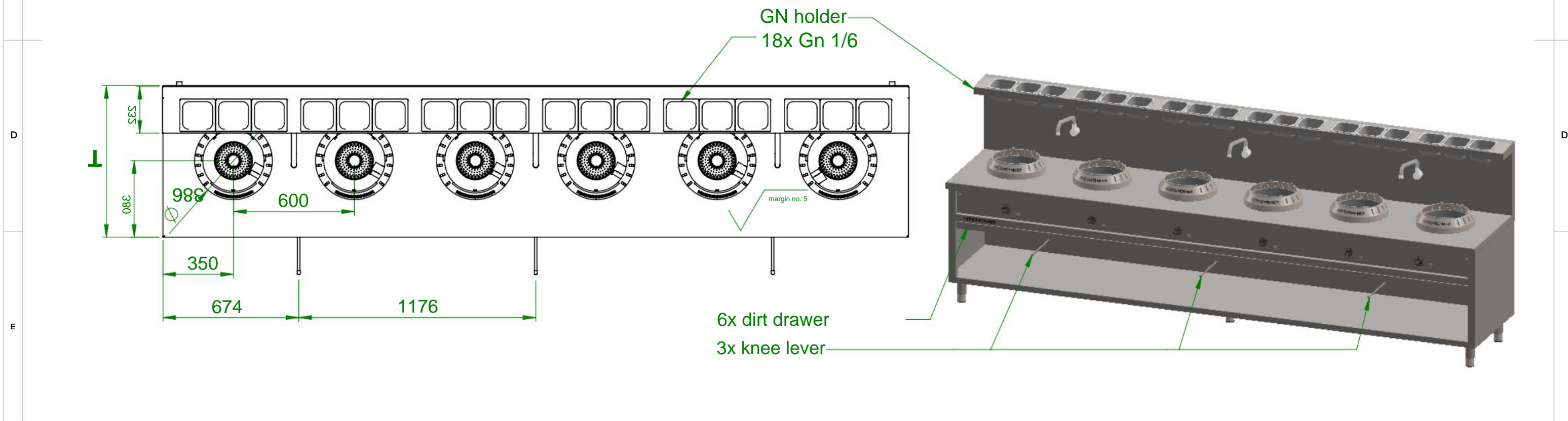
Item No	T	E	F	HZ	P[kW]	Pges [kW]	Volume flow gas connection V[m3/h]	Length of consumption line [m] delta p=0.6mBar	gas type
GGHBF	750	720	453	6	8	48	5.07	13	I2H
GGHCF					12	72	7.62	>20	
GGKBF	900	870	603		8	48	5.07	13	
GGKCF					12	72	7.62	>20	
							1/4 1 1 1/4		

area of use	tolerance after	surfaces	Scale:	Weight:
3700x750x850	DIN ISO 2768-mK	ISO 1302	1:17	392kg
			material	1.4301 AISI 304
Surname	Date	Gas wok range "HENAN"		
edit MG	08/12/2020			
HEIDEBRENNER		GG(HK)xF	A3	

2 3 4

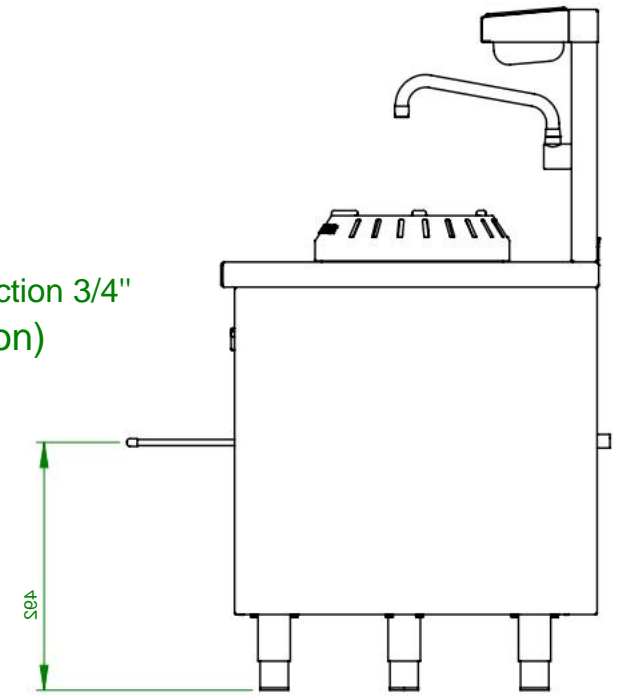
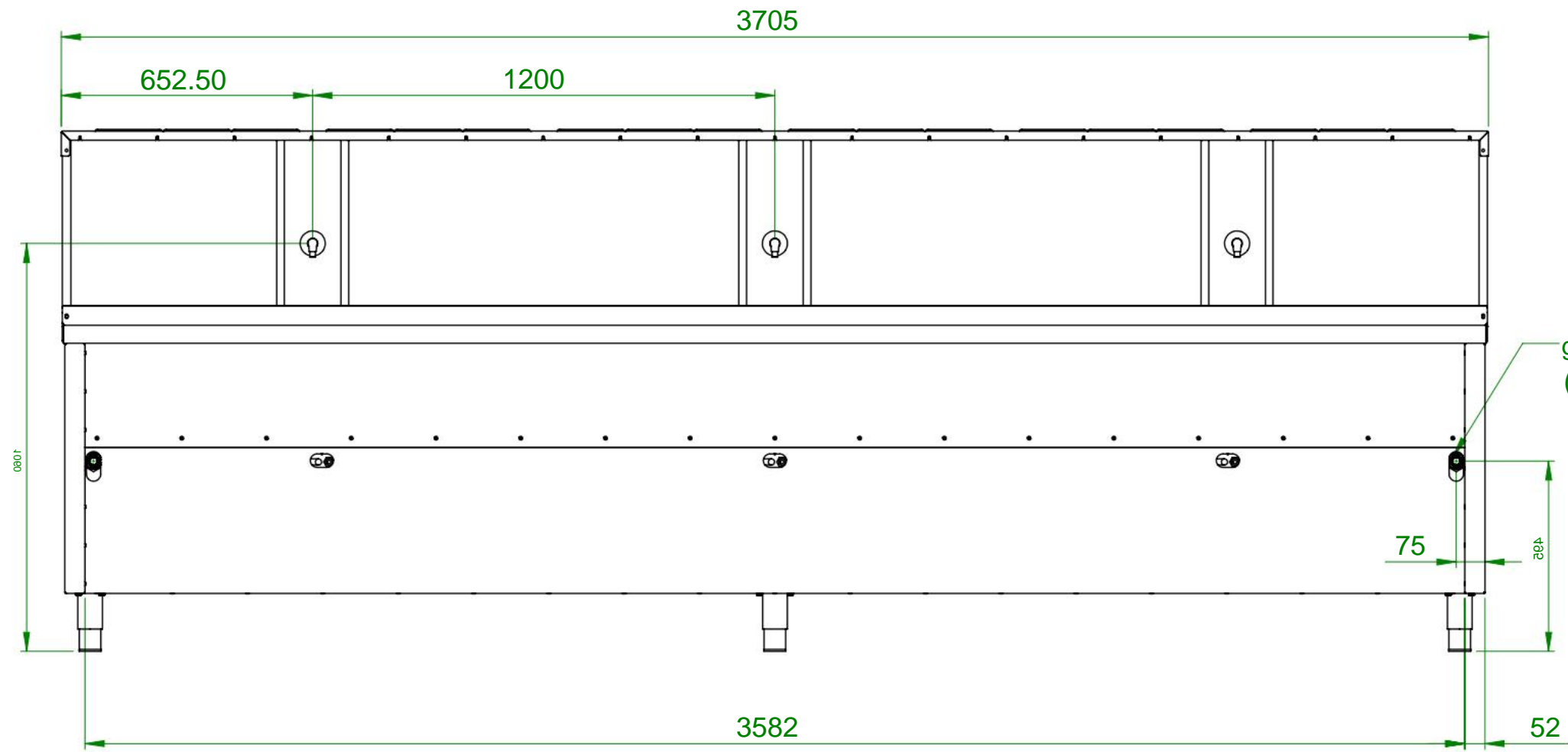


	GGxBF	GGxCF
Ptotal [kW]	48	72
Gas wok range Heat output [W]		
Sensitive heat	8400	12600
Latent Heat	5040	7560
Steam Levy	8904	13356



Item No	T	E	F	HZ	P[kW]	Ptotal [kW]	volume storm V[m3/h]	gas connection <small>(Customs service)</small>	Length of consumption line [m] delta p=0.6mBar	gas type
GGHBF	750	720	453	6	8	48	5.076	1 1	13	I2H
GGHCF					12	72	7.62		>20	
GGKBF	900	870	603		8	48	5.076	13		
GGKCF					12	72	7.62	1/4 1 1 1/4	>20	

area of use 3700x750x1350	tolerance after DIN ISO 2768-mK	surfaces ISO 1302	Scale: 1:19	455kg 1.4301
	Surname	Date	Gas wok range "HENAN"	
edit	MG	08/12/2020		
HEIDEBRENNER		GG(HK)xF		A3



area of use 3700x750x1350	tolerance after DIN ISO 2768-mK	surfaces ISO 1302	Scale: 1:15	Weight: 455kg
			material: 1.4301 AISI 304	
edit	Surname MG	Date 08/12/2020	Gas wok range "HENAN"	
HEIDEBRENNER		GG(HK)xF		A3