

MULTIMAX 20-11

GN 20 X 1/1

Combi steamer, electric, right hinged



HIGHLIGHTS

- 5" touch-display (resistiv)
- Language neutral operation
- Push-dial
- Eloma live steam system
- 3 fan speed levels, programmable
- HACCP data logging and display
- Semi-automatic cleaning system (autoclean® optional)
- SPS®: Steam protection system
- Active Temp: automatic preheat / cool down

MULTIMAX 20-11 GN 20 X 1/1

DIMENSIONS

Width x depth x height in mm: 1030 x 880 x 1930

Weight: 295 kg

Weight with packaging: 420 kg

Number levels: 20 x GN 1/1

Distance between levels: 67 mm

Cooking chamber volume: 731 l

ELECTRICAL SUPPLY

Voltage: 400V/ 3 N AC [400V/3 AC^{X1}]

Connection load: 45,00 kW / 34,00 kW

Rated current: 64,3 Amp / 48,7 Amp

Protection: 3 x 80 Amp / 3 x 50 Amp

Res. current circuit breaker, frequency converter 1PH: 35Amp

Recommended cross section: 6 qmm

Noise emission: < 70 dB (A)

Article number: EL2103001-2X
EL2103004-2X ¹⁾
EL2103002-2X ²⁾
EL2103003-2X ³⁾
EL2103005-2X
EL2103008-2X ¹⁾
EL2103006-2X ²⁾
EL2103007-2X ³⁾
EL2103011-2X ^{X1,2)}

- ¹⁾ - ohne Autoclean, ohne Multi-Öko-System
- ²⁾ - ohne Multi-Öko-System
- ³⁾ - ohne Autoclean
- ^{X1,2)} - Sonderspannung

SAFETY CLEARANCE

Rear: min. 50mm

Right: min. 50mm

Left: min. 50mm

Minimum distance to heat sources: min. 50mm

LOADING CAPACITY

GN 1/1: 20

EN / BN*: 16

Plates max Ø32 cm: 54

*Serial mobile rack in GN, EN/BN trolley available with accessories

WATER CONNECTION

Water supply/dim: 2 x G 3/4" A

Flow pressure: 2 - 6 bar (200 - 600 kPa)

DRAIN SYSTEM

Version: permanent connection (rec.) or funnel waste trap

Type: DN50 (min. Ø internal: 46mm)

Slope for waste water pipe: min. 3%

WATER QUALITY

General requirement: drinking water

Total hardness: ≤ 3°dh / 70 - 125 ppm / 7-13° TH / 5-9 °e

pH-value: 7,0 - 8,5

Cl (chloride): max. 60 mg/l

Cl₂ (free chlorine): max. 0.2 mg/l

SO² (sulphate): max. 150 mg/l

Fe (iron): max 0.1 mg/l

Temperature: max. 40°C

Electrical conductivity: min. 20 µ S/cm

Water pressure: 4 bar (2 - 6 bar)

WATER CONSUMPTION

Soft water: 2 x 20 l/h (at 4 bar)

Hard water: 65 l/h (at 4 bar)

HEAT EMISSION

latent: 16,200 MJ/h, sensitive: 11,340 MJ/h

STANDARDS

Safety: VDE - UL-CSA, SVGW, WRAS

Protection: IPX 5

Built according to: DIN 18866-2



MULTIMAX 20-11 GN 20 X 1/1

STANDARD FEATURES

8 operating modes from 30°C to 300°C

5" touch-display (resistiv)

Language neutral operation

Push-dial

Eloma live steam system

Steptronic®

Clima-active: active dehumidification and air inlet

Fan speed in 2 levels and pulsed

Autoreverse fan wheel for even results

HACCP data logging and display

e/2 – energy savind mode

Time setting from 1 min to 24 h and continues operation

Start time setting up to 24h

Semi-automatic cleaning system

Multi-point-core-temperature sensor

Active Temp

Integrated spray hose

Steam discharge

SPS®: Steam protection system

Manual steaming

Regeneration mode

Delta-T cooking

LT-cooking

Programlist for up to 99 programs, with each 9 steps

OPTIONS

External core temperature probe

Multi-eco-system – heat reclamation

autoclean®

Special voltages

Ocean version

LAN-connection

Connection energy optimisation

Safety door lock

ACCESSORIES (EXTRACT)

Multi-eco condensationhood

ProConnect data management software

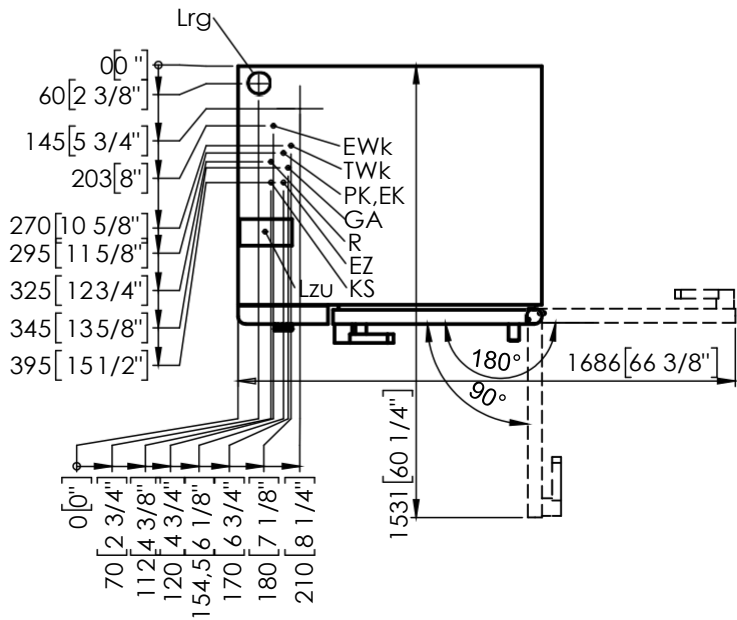
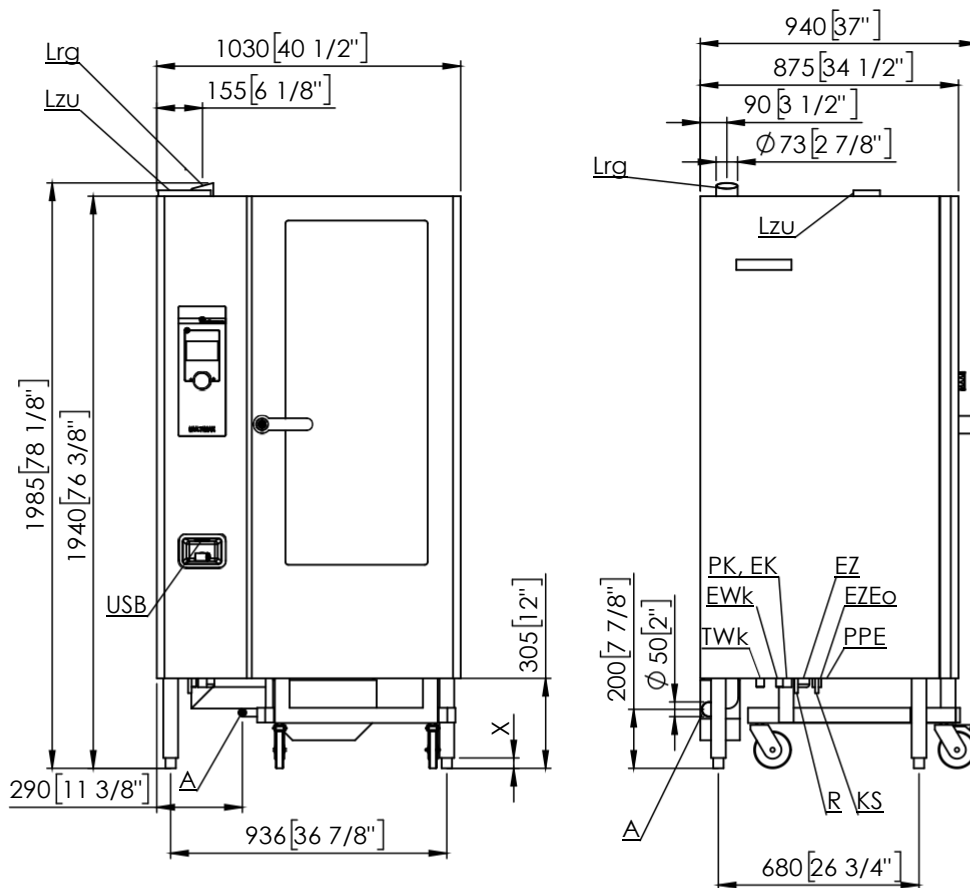
Mobile tray rack

Mobile plate rack

SmokeFit smoking device

Trays, grids and pans





- Lzu Supply air opening
- Lrg Exhaust air pipe
- A Connection for waste water line (DN2")
- EWK Connection for soft water (BSP3/4") (US:GHT 3/4")
- TWk Connection for hard water (BSP3/4") (US:GHT 3/4")
- EZ Power supply
- EK Communications connection (e.g. RS232, LAN)
- USB USB port
- PPE Connection for potential equalisation
- PK Floating contact (optional)
- EZEo Power optimization
- X Feet, adjustable (+/- 3/8")
- R Connection for cleaner
- KS Connection for rinse



Eloma GmbH | Otto-Hahn-Str. 10 | 82216 Maisach/Germany
 Phone: +49 8141 395-0 | Fax: +49 8141 395-130
 Mail: sales@eloma.com
 eloma.com

